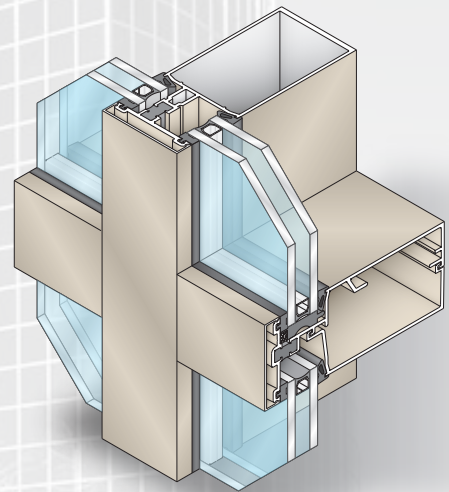


# CURTAIN WALLS

## SERIES 4250 & 4250T CURTAIN WALL



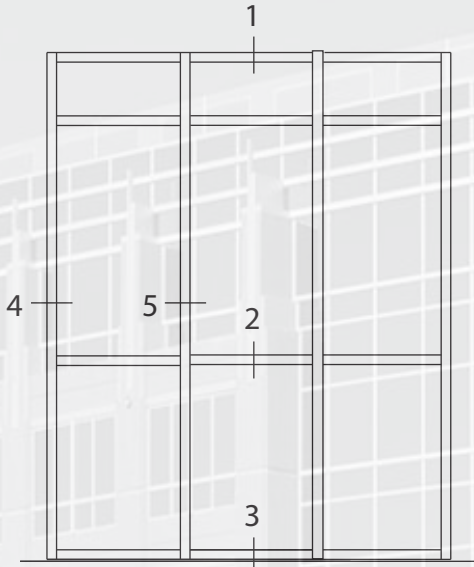
- 2½" x 6" system dimensions
- Stick wall installation
- Interior glazed
- Thermal or non-thermal versions
- No exposed fasteners
- Shear block assembly



Series 4250 curtain wall is a stick-erected, interior-glazed curtain wall utilizing a pocket set design and E.P.D.M. compression glazing gaskets. This system features the Poly-Aluminizer™ and Struct-Link™ thermal break technology. It was specifically engineered to satisfy the increasing demands for energy conservation. Dual or two-tone colors can be achieved by specifying different finishes for the exterior face covers and the interior mullions. Two piece horizontals and shear blocks allow for a concealed horizontal to vertical joint without exposed screws. Vertical to horizontal intersections have concealed injection molded plastic end dams for controlling any infiltrated water. Specify the 4250T for the thermally broken version.

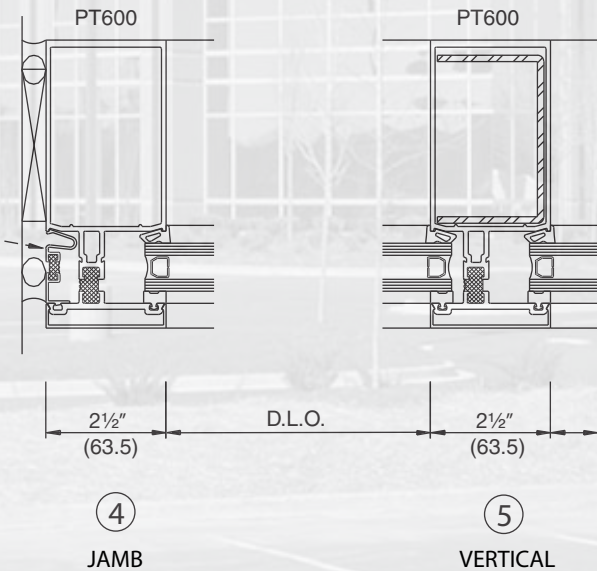
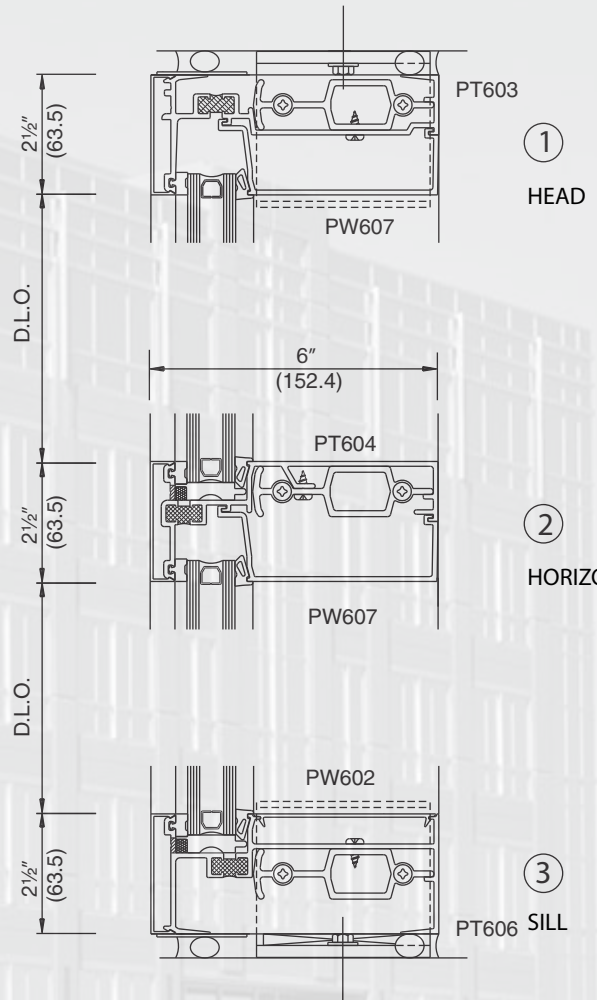


# SERIES 4250 TYPICAL DETAILS



TYPICAL ELEVATION

Series 4250 Curtain Wall System is also available in a non-thermal version



SCALE - 1/4" = 1"



California - 800.766.6063  
Chicago - 800.323.8480  
Texas - 800.627.6440

South Carolina - 800.462.5668  
Canada BC - 888.889.3899  
Canada Ont. - 800.796.6636