

# STEP 1 MAIN FRAME ASSEMBLY

Lay out the framing members on the floor as shown on **Diagram A**.

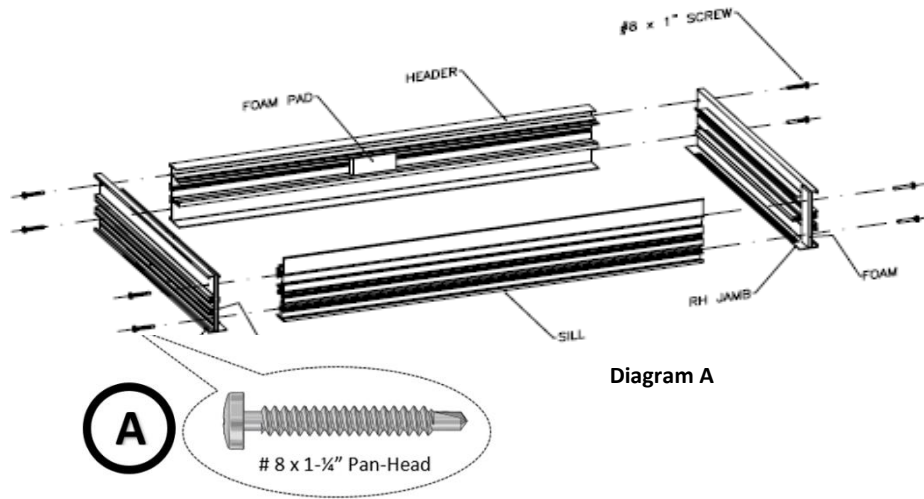


Diagram A

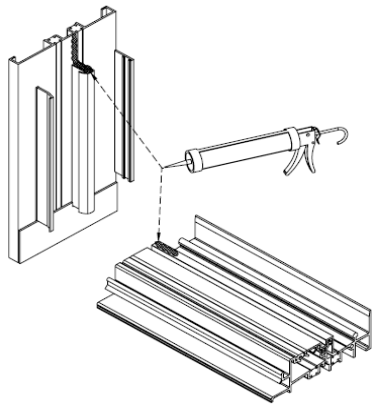


Diagram B

Apply sealants at the joints as shown in **Diagram B**. (necessary to create weather proof joints and will ensure the good air and water performance.)

Using the #8x1-1/4" screws provided, fasten the header and sill to the jambs as shown in **Diagram A**, making sure the screws are drawn tight.

Fasten the frame into the rough opening. Confirm that the sill, header and jambs are plumb, level and square. Diagonal dimensions need to be within 1/4" (6mm). <sup>NAFS</sup>

**Anchoring requirements are specific to the type of structure and should be specified by construction engineering. DO NOT drill holes downwards into the sill unless water infiltration under the sill has been considered.** <sup>NAFS</sup>

**NOTE: For 2 5/8" high sill, ALL panels are installed from the exterior. The operating panel is to be installed first.**

# STEP 2 INSTALLING THE OPERATING PANEL

From the exterior, lift the operating panel into the inside track of the frame header and carefully lower the panel onto the roller track of the sill frame as shown in **Diagram C**.

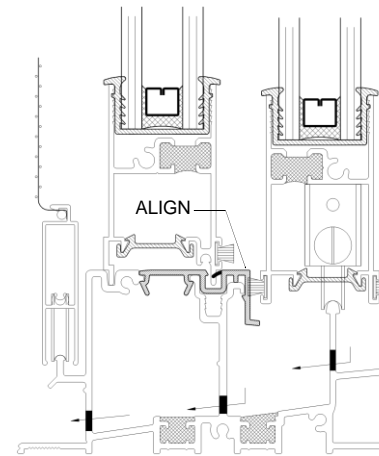
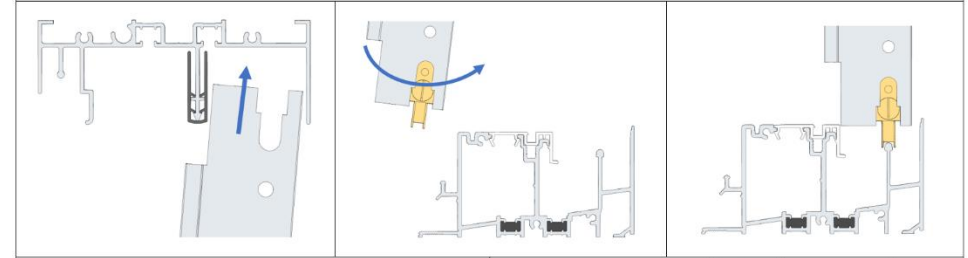


Diagram D

Using a manual screw driver, adjust the rollers up or down to align the top of the weather stripping on the outside of the bottom rail to the top of the sill, as shown on **Diagram D**. <sup>NAFS</sup>

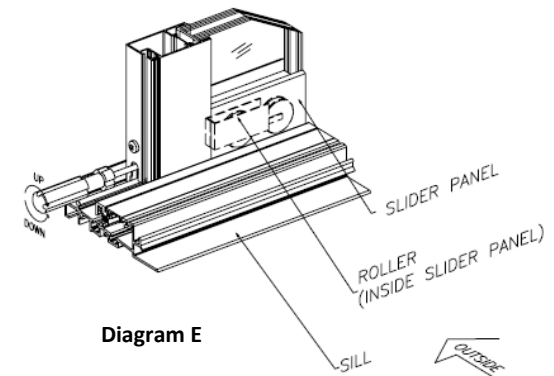


Diagram E

To adjust the rollers, turn the screw clockwise to raise the panel or counter clockwise to lower the panel as shown on **Diagram E**. Lift the panel slightly when adjusting for easier turning and to prevent stripping the adjustment mechanism.

Slide the panel in the closing direction to within 1/4" of the jamb. Visually check that the joint between the operating panel and jamb is parallel from top to bottom. Adjust the roller wheels if necessary, in order to align the panel.

## STEP 3 INSTALLING THE FIXED PANEL

Prior to installing the fixed panel, apply a generous bead of sealant at the top and bottom (**Diagram F**) of the jamb pocket. The sealant shall span the entire width of the jamb pocket.”NAFS

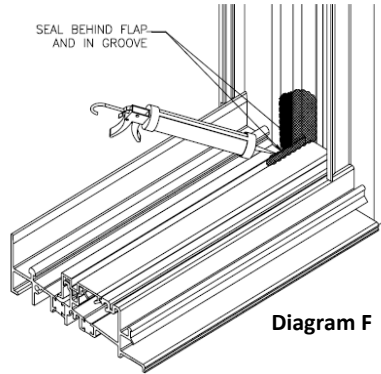


Diagram F

From the exterior, lift the fixed panel into the exterior track of the header and lower onto the sill. Push the fixed panel securely into the jamb pocket. If necessary, use a rubber mallet or bar clamp to firmly seat the fixed panel into the jamb pocket.

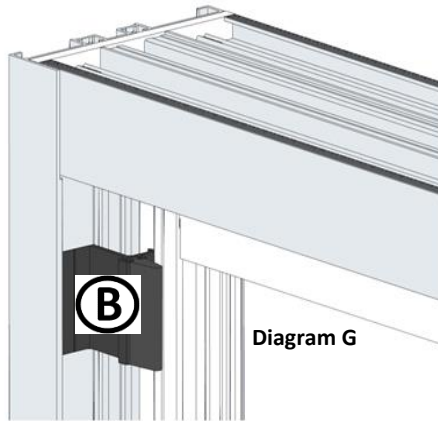


Diagram G

The clip leg of the panel should be nestled against the plastic leg adapter.

Hook the fixed panel bumper clips onto the fixed panel and into the jamb as shown. The bumper-anchor clips should nest easily into the jamb without forcing or bending.”NAFS (**Diagram G**).

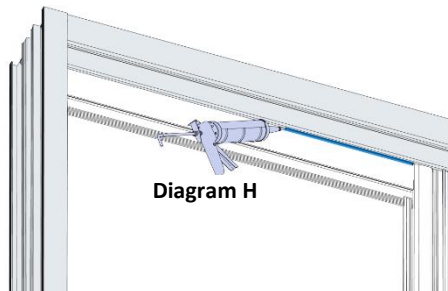


Diagram H

**\*Apply a thin bead of clear sealant around the interior perimeter (header, jamb and sill) of the fixed panel.”NAFS (Diagram H)**

## STEP 4 HARDWARE INSTALLATION

All hardware for locking the door is packaged separately. Follow the instructions enclosed in the hardware package. Only after the panels have been adjusted as previously noted, are the lock mechanism, handles, and lock keeper to be attached as follows:

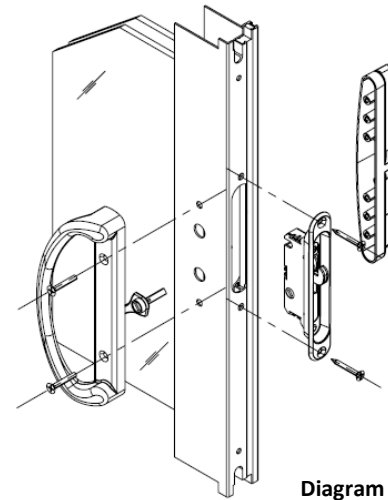


Diagram I

Attach the lock mechanism and handles to the lock rail as shown in **Diagram I**. Ensure that the striker hook is facing upwards. After the keeper is installed, go back and adjust the striker hook so that lock closes snugly (adjustment screw is below look on face of lock mechanism).”NAFS

To locate the keeper on the jamb, first open the operating panel. Nest the keeper into the lock mechanism, and engage the thumb turn to hold the keeper within the lock mechanism. Remove the backing on the 2-sided tape on the keeper and firmly slide the operating panel into the jamb. Disengage the thumb turn and open the operating panel again.

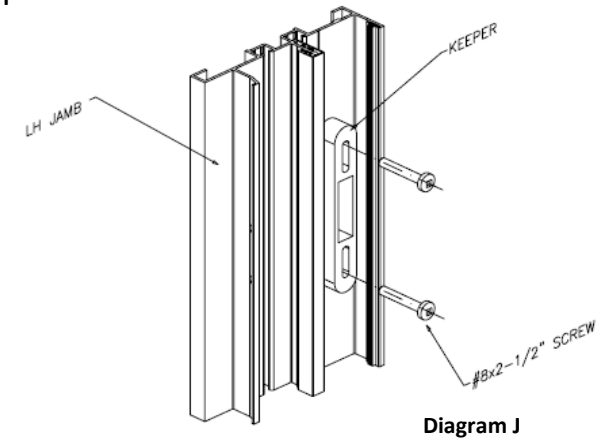
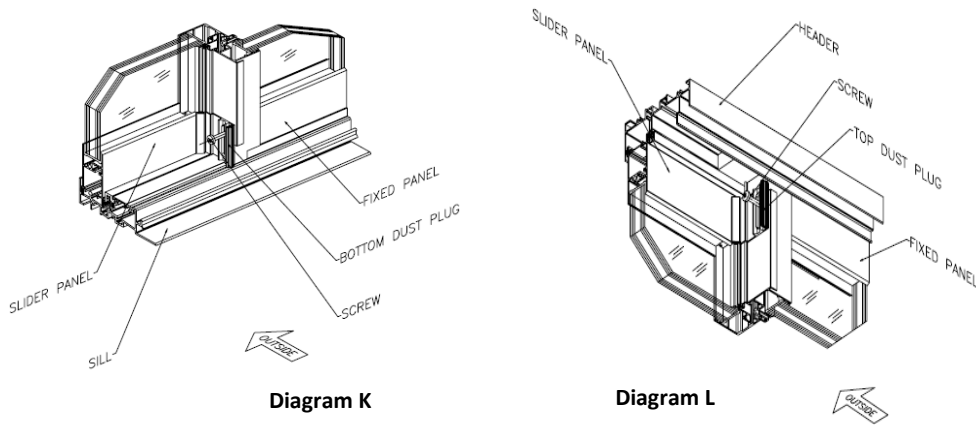


Diagram J

The keeper should be held on the jamb by the 2-sided tape. Attach the keeper to the jamb with 2 self-drilling screws. For maximum security, drill clearance holes, insert solid shims between the jamb and the opening, and drive long screws into the surrounding structure. See **Diagram J**.

## STEP 5 DUST PLUG ADJUSTMENT

The fixed panel is shipped with the dust plugs factory installed in the “backed-off” position. After the door is completely aligned and adjusted, apply a small bead of sealant along the outside edge of the fixed panel meeting rail where it contacts the sill. Loosen the panel assembly screws and raise or lower the metal dust plugs so that they fit tight against the header and sill of the door frame. Retighten the screws.<sup>NAFS</sup> See **Diagrams K & L.**



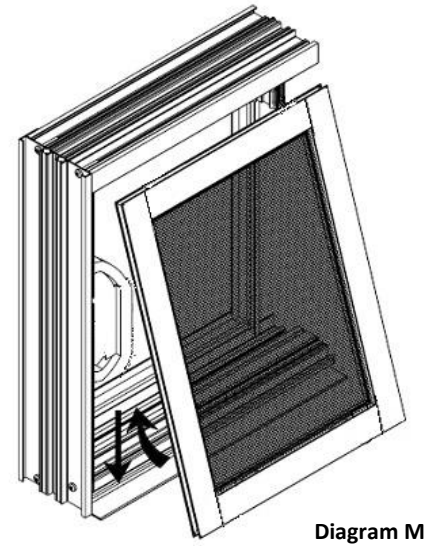
## STEP 6 CAULKING & CLEANING

**CAULKING:** The exterior perimeter of the door frame must be caulked to the building skin to ensure air and water tightness.<sup>NAFS</sup> Use a good quality building sealant that is compatible with the painted or anodized aluminum surfaces of the sliding door and the surrounding structure. It is important that all aluminum surfaces to be caulked are free of dust and grease and are well cleaned (Isopropyl alcohol cleaning solution is recommended). Depending on the sealants being used, a primer may also be necessary. Check the application with your sealant supplier.

**CLEANING:** Remove all debris and vacuum all dirt and filings from the sill. Test sill drainage by pouring 4 litres of water into the sill track. The water should drain out in approximately 45 seconds.<sup>NAFS</sup> Using a mild soap and water solution, clean all metal and glass surfaces. Do not use solvents or harsh cleaners as they may damage the aluminum finish surfaces.

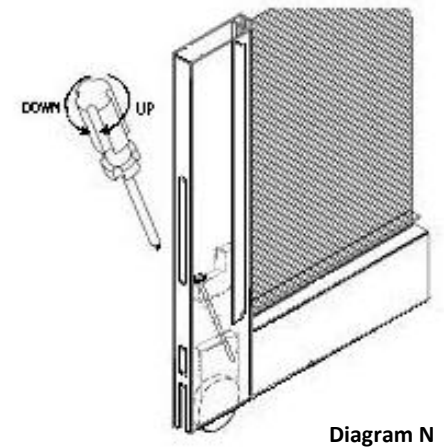
## STEP 7 SCREEN INSTALLATION

Insert the screen into the header first and then set the bottom of the screen on to the screen roller track on the sill as shown on **Diagram M.**



Install the screen keeper into the jamb with the hook pointing downwards.

If necessary, adjust the top rollers just enough to snug the screen to the top track and allow for easy rolling. Adjust the bottom rollers to align the screen parallel to the jamb. See **Diagram N.**



**IMPORTANT USER NOTICE:** This quick installation guide is a basic guideline only intended for use by qualified and experienced installers with extensive knowledge in how to securely anchor a door to the building structure. It is a guideline only for installations in houses or low rise buildings in mild exposure areas. **For installations in exposed areas and buildings exceeding 10 meters (3+ stories) in height, the anchoring requirements must be determined by a structural engineer.**

---

**ALL DETAILS MUST BE FOLLOWED IN ORDER TO ACHIEVE PERFORMANCE RATINGS AS PER NORTH AMERICAN FENESTRATION STANDARDS / SPECIFICATIONS (NAFS). THOSE DETAILS TAGGED WITH NAFS SUPERScript ARE CRITICAL TO TESTING PERFORMANCE.**

---

You may refer to the **Stergis Detailed Installation Instructions** publication for additional details and information regarding:

- frame installation and anchoring requirements
- installing doors into high rise buildings
- 3 panel OXO and OZO doors
- 4 panel OXXO doors
- alternate locking hardware

**NEED HELP?** Contact our Customer Service department.

By Phone: 508-455-0661 from 9am to 4pm EST

Website: [www.stergis.com](http://www.stergis.com)

Oct27, 2020 rev.4



## 1200 SERIES

# QUICK INSTALLATION GUIDE

## 2 5/8" Sill

---

### Required Assembly Tools include:

1. Screwdriver #2 Phillips
2. Torque-controlled Power driver with 6" #2 Robertson (or #2 Phillips bit)
3. Level and Tape Measure
4. Clear sealant (recommended non-yellowing silicone)
5. Rubber Mallet
6. Cleaning solution (recommended isopropyl alcohol)
7. **(B)**