

TEST REPORT

Report No.: A1719.01-501-47

Rendered to:

Deceuninck North America, LLC
Monroe, Ohio

PRODUCT TYPE: PVC Sliding Door, Type XO
SERIES/MODEL: 623.620 PD-003

SPECIFICATION: AAMA/WDMA/CSA 101/1.S.2/A440-05, *Standard/Specification for Windows, Doors, and Unit Skylights.*

| Title | Summary of Results | |
|--|---|---------------------------------|
| | Test Specimen #1 | Test Specimen #2 |
| Primary Product Designator | SD-C50 2426 x 2426 (96 x 96) | SD-C50 2426 x 2426 (96 x 96) |
| Design Pressure | ±2400 Pa (±50.16 psf) | ±2400 Pa (±50.16 psf) |
| Air Infiltration | 0.6 L/s/m ² (0.11 cfm/ft ²) | N/A |
| Water Penetration Resistance Test Pressure | 360 Pa (7.52 psf) | N/A |

Test Completion Date: 11/10/2010

Reference must be made to Report No. A1719.01-501-47, dated 02/25/11 for complete test specimen description and detailed test results.

1.0 Report Issued To: Deceuninck North America, LLC
351 North Garver Road
Monroe, Ohio 45050

2.0 Test Laboratory: Architectural Testing, Inc.
1140 Lincoln Avenue
Springdale, PA 15144
724-275-7100

3.0 Project Summary:

3.1 Product Type: PVC Sliding Door, Type XO

3.2 Series/Model: 623.620 PD-003

3.3 Compliance Statement: Results obtained are tested values and were secured by using the designated test method(s). The specimens tested successfully met the performance requirements for the following ratings: Test Specimen #1: **SD-C50 2426 x 2426 (96 x 96)**; Test Specimen #2: **SD-C50 2426 x 2426 (96 x 96)**.

3.4 Test Dates: 6/8/2010 - 11/30/2010

3.5 Test Location: Deceuninck North America, LLC test facility in Monroe, Ohio. Calibration of test equipment was performed by Architectural Testing in accordance with AAMA 205-01 "In-Plant Testing Guidelines for Manufacturers and Independent Laboratories".

3.6 Test Sample Source: The test specimens were provided by the client. Representative samples of the test specimen(s) will be retained by Architectural Testing for a minimum of four years from the test completion date.

3.7 Drawing Reference: The test specimen drawings have been reviewed by Architectural Testing and are representative of the test specimen(s) reported herein. Test specimen construction was verified by Architectural Testing per the drawings located in Appendix B. Any deviations are documented herein or on the drawings.

3.8 List of Official Observers:

| <u>Name</u> | <u>Company</u> |
|-----------------|-------------------------------|
| Dean Erbaugh | Deceuninck North America, LLC |
| Corey Eisenhuth | Architectural Testing, Inc. |

4.0 Test Specification(s):

AAMA/WDMA/CSA 101/I.S.2/A440-05, *Standard/Specification for Windows, Doors, and Unit Skylights.*

5.0 Test Specimen Description:

5.1 Product Sizes:

Test Specimen #1:

| Overall Area: 5.9 m ² (63.3 ft ²) | Width | | Height | |
|---|-------------|--------|-------------|--------|
| | millimeters | inches | millimeters | inches |
| Overall size | 2426 | 95-1/2 | 2426 | 95-1/2 |
| Panel (2) | 1222 | 48-1/8 | 2359 | 92-7/8 |
| Screen | 1194 | 47 | 2378 | 93-5/8 |

Test Specimen #2:

| Overall Area: 5.9 m ² (63.3 ft ²) | Width | | Height | |
|---|-------------|--------|-------------|--------|
| | millimeters | inches | millimeters | inches |
| Overall size | 2426 | 95-1/2 | 2426 | 95-1/2 |
| Panel (2) | 1222 | 48-1/8 | 2359 | 92-7/8 |

The following descriptions apply to all specimens.

5.2 Frame Construction:

| Frame Member | Material | Description |
|-----------------------------------|----------|-------------|
| Head, sill, jambs, sill insert | PVC | Extruded |
| Snubber, threshold | Aluminum | Extruded |

| | Joinery Type | Detail |
|-------------|-----------------------|--|
| All corners | Mitered | Thermally welded |
| Sill insert | Mechanically fastened | Secured to the sill with Four #8 x 1" long screws, evenly spaced |
| Snubber | Mechanically fastened | Two 30" long lengths, each secured to the jamb with eight #8 x 1-1/4" long screws. |

5.0 Test Specimen Description: (Continued)

5.3 Panel Construction:

| Sash Member | Species/Material/ Alloy | Other |
|--|----------------------------|----------|
| Rails, stiles, applied interlock | PVC | Extruded |

| | Joinery Type | Detail |
|--------------------------|--------------------------|--|
| All corners | Mitered | Thermally welded |
| Applied interlock (2) | Mechanically fastened | Each secured to the panel with five #8 x 5/8" long screws, evenly spaced |
| Fixed panel | Mechanically fastened | Secured to the head and sill three #8 x 1" long screws, and to the jamb with five #8 x 1" long screws, evenly spaced |

5.4 Weatherstripping:

| Description | Quantity | Location |
|---|----------|--|
| 0.250" backed by 0.330" high center fin pile | 4 Rows | Head and jambs |
| 0.250" backed by 0.330" high center fin pile | 3 Rows | Sill |
| 0.230" backed by 0.330" high center fin pile | 1 Row | Fixed meeting stile, and operable meeting stile |

5.0 Test Specimen Description: (Continued)

5.5 Glazing:

Test Specimen #1:

| Glass Type | Spacer Type | Interior Lite | Exterior Lite | Glazing Method |
|------------|---------------------------------------|------------------------|------------------------|---|
| 1" IG | Steel reinforced butyl, single sealed | 3.0 mm (1/8") tempered | 3.0 mm (1/8") tempered | Interior glazed against a silicone sealant and secured with snap-on vinyl glazing beads |

Test Specimen #2:

| Glass Type | Spacer Type | Interior Lite | Exterior Lite | Glazing Method |
|------------|-------------------------------------|---|------------------------|---|
| 1" IG | Rectangular aluminum, single sealed | 8.7 mm (11/32") Laminated (two sheets 1/8" annealed with 0.090" innerlayer) | 3.0 mm (1/8") tempered | Interior glazed against a silicone sealant and secured with snap-on vinyl glazing beads |

| Location | Quantity | Daylight Opening | | Glass Bite |
|----------|----------|------------------|-------------|------------|
| | | millimeters | inches | |
| Panel | 2 | 1019 x 2156 | 40 x 84-3/4 | 1/2" |

5.6 Drainage:

| Drainage Method | Size | Quantity | Location |
|-----------------|-------|----------|------------------------------|
| Weephole | 3/16" | 4 | Bottom rail, one at each end |

5.7 Hardware:

| Description | Quantity | Location |
|-------------------------------|----------|--|
| Pull handle and lock assembly | 1 | Lock stile, engaging a metal keeper at jamb |
| Metal roller assembly | 2 | Bottom rail, on at each end |
| Aluminum L-bracket | 2 | One at each end of the fixed meeting stile, each secured with #8 x 2" long screws, two into frame and two into the stile |

5.0 Test Specimen Description: (Continued)

5.8 Reinforcement:

| Drawing Number | Location | Material |
|----------------|-------------------------------|----------|
| 10300149 | All frame members | Aluminum |
| 10300151 | Meeting stiles | Aluminum |
| 10300150 | Jamb stiles | Aluminum |
| 10300152 | Bottom rail of operable panel | Aluminum |

5.9 Screen Construction:

| Frame Material | Corner Construction | Mesh Type | Mesh Attachment Method |
|----------------|---|-----------|------------------------|
| Aluminum | Mitered with pressed aluminum corner keys | Vinyl | Spline |

6.0 Installation:

The specimen was installed into a Spruce-Pine-Fir wood buck. The rough opening allowed for a 1/8" shim space. The exterior perimeter of the window was sealed with a silicone sealant.

| Location | Anchor Description | Anchor Location |
|----------|---------------------------|---|
| Frame | #8 x 5/8" pan head screws | Through the nail fin spaced nominally 14" on center |

7.0 Test Results: The temperature during testing was 21°C (70°F). The results are tabulated as follows:

Test Specimen #1:

| Title of Test | Results | Allowed | Note |
|--|---|---|------|
| Operating Force, per ASTM E 2068 | Initiate motion: 107 N (24 lbf) Maintain motion: 53 N (12 lbf) Locks: 13 N (3 lbf) | 180 N (40 lbf) max. 115 N (25 lbf) max. 100 N (22.5 lbf) max. | |
| Air Leakage, Infiltration per ASTM E 283 at 75 Pa (1.6 psf) | 0.6 L/s/m ² (0.11 cfm/ft ²) | 1.5 L/s/m ² (0.3 cfm/ft ²) max. | 1 |
| Water Penetration, per ASTM E 547 | N/A | N/A | 3 |
| Uniform Load Deflection, per ASTM E 330 | N/A | N/A | 3 |
| Uniform Load Structural, per ASTM E 330 | N/A | N/A | 3 |
| Forced Entry Resistance, per ASTM F 842, Type: A - Grade: 10 | Pass | No entry | |
| Thermoplastic Corner Weld | Pass | Meets as stated | |
| Deglazing, per ASTM E 987 Operating direction, 320 N (72 lbf) | Pass | Meets as stated | |
| Remaining direction, 230 N (52 lbf) | Pass | Meets as stated | |

7.0 Test Results: (Continued)

Test Specimen #1: (Continued)

| Optional Performance | | | |
|---|------------------------------------|--|---------|
| Water Penetration, per ASTM E 547 at 360 Pa (7.52 psf) | Pass | No leakage | 2 |
| Uniform Load Deflection, per ASTM E 330 taken at the fixed meeting stile +2400 Pa (+50.16 psf) -2400 Pa (-50.16 psf) | 29.5 mm (1.16") 28.4 mm (1.12") | Report Only | 4, 6, 7 |
| Uniform Load Structural, per ASTM E 330 taken at the fixed meeting stile +3600 Pa (+75.24 psf) -3600 Pa (-75.24 psf) | 0.7 mm (0.03") 0.6 mm (0.02") | 7.1 mm (0.28") max. 7.1 mm (0.28") max. | 5, 6 |

Test Specimen #2:

| Title of Test | Results | Allowed | Note |
|---|--------------------------------------|--|-------------|
| Optional Performance | | | |
| Uniform Load Deflection, per ASTM E 330 taken at the fixed meeting stile +2400 Pa (+50.16 psf) -2400 Pa (-50.16 psf) | 25.1 mm (0.99") 26.6 mm (1.05") | Report Only | 4,6,7 |
| Uniform Load Structural, per ASTM E 330 taken at the fixed meeting stile +3600 Pa (+75.24 psf) -3600 Pa (-75.24 psf) | 0.03 mm (0.01") <0.03 mm (<0.01") | 7.1 mm (0.28") max. 7.1 mm (0.28") max. | 5,6 |

7.0 Test Results: (Continued)

Note 1: The tested specimen meets (or exceeds) the performance levels specified in AAMA/WDMA/CSA 101/I.S.2/A440 for air leakage resistance.

Note 2: With and without insect screen.

Note 3: The client opted to start at a pressure higher than the minimum required. Test results are reported under Optional Performance.

Note 4: The deflections reported are not limited by AAMA/WDMA/CSA 101/I.S.2/A440 for this product designation. The deflection data is recorded in this report for special code compliance and information only.

Note 5: Loads were held for 10 seconds.

Note 6: Tape and film were used to seal against air leakage during structural testing. In our opinion, the tape and film did not influence the results of the test.

Note 7: Loads were held for 52 seconds.

The service life of this report will expire on the stated Test Record Retention End Date, at which time such materials as drawings, data sheets, samples of test specimens, copies of this report, and any other pertinent project documentation, shall be discarded without notice.

If test specimen contains glazing, no conclusions of any kind regarding the adequacy or inadequacy of the glass in any glazed test specimen(s) can be made. This report does not constitute certification of this product nor an opinion or endorsement by this laboratory. It is the exclusive property of the client so named herein and relates only to the specimen(s) tested. This report may not be reproduced, except in full, without the written approval of Architectural Testing, Inc.

For ARCHITECTURAL TESTING, Inc.

Corey A. Eisenhuth
Senior Technician

Lynn George
Director – Regional Operations

CAE:sld

Attachments (pages): This report is complete only when all attachments listed are included.

Appendix-A: Alteration Addendum (1)

Appendix-B: Drawings (16)



Test Report No.: A1719.01-501-47
Report Date: 02/25/11
Test Record Retention End Date: 11/10/14

Appendix A
Alteration Addendum

Note: No alterations were required.



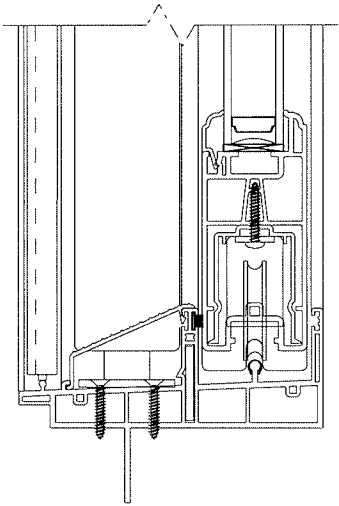
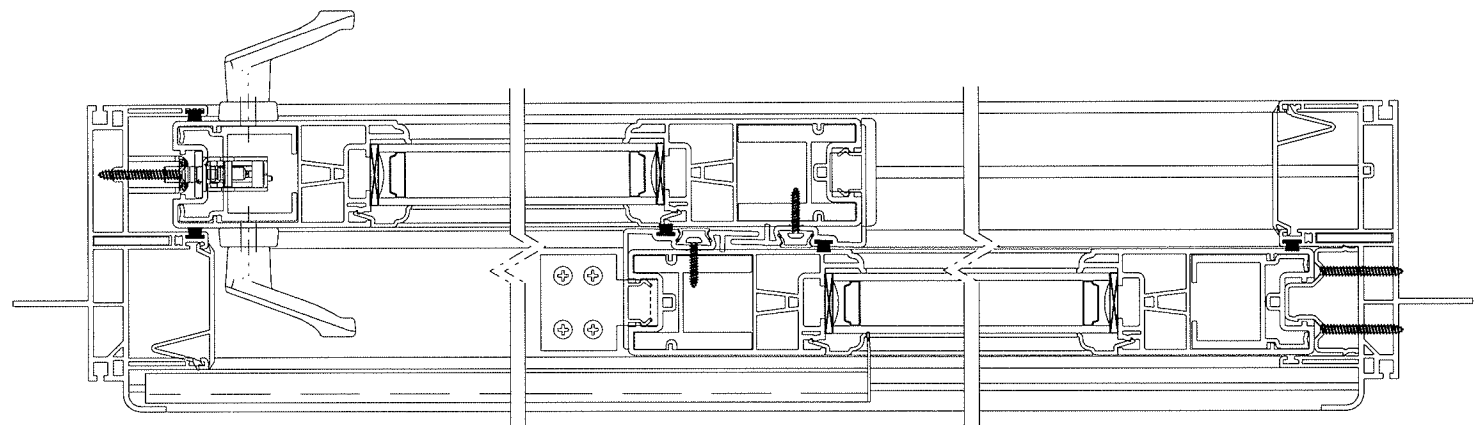
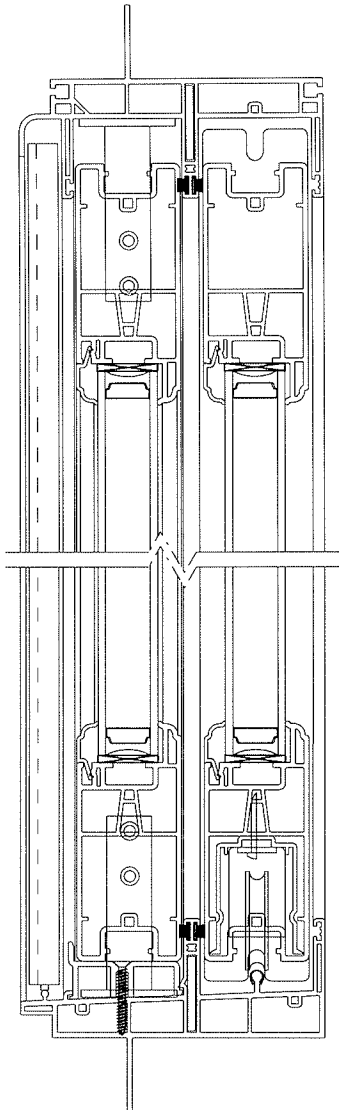
Test Report No.: A1719.01-501-47
Report Date: 02/25/11
Test Record Retention End Date: 11/10/14

Appendix B

Drawings

CAD MAINTAINED. CHANGES SHALL BE INCORPORATED BY THE DESIGN ACTIVITY.

| REVISION HISTORY | | | |
|------------------|-------------|------|----------|
| REV | DESCRIPTION | DATE | APPROVED |
| - | - | - | - |



Architectural Testing

Test sample complies with these details.
Deviations are noted.

Report# A1719
Date 1-11-11 Tech CAE

| | | | |
|---|---|---|---|
| CONFIDENTIAL UNPUBLISHED WORK © 2008 DECEUNINCK NORTH AMERICA THIS DOCUMENT CONTAINS PROPRIETARY AND CONFIDENTIAL INFORMATION. DO NOT COPY OR DISCLOSE THIS INFORMATION WITHOUT THE EXPRESS WRITTEN CONSENT OF DECEUNINCK NORTH AMERICA. DECEUNINCK NORTH AMERICA RESERVES THE RIGHT TO CHANGE THIS DRAWING AND ANY ASSOCIATED DOCUMENTS. | UNLESS OTHERWISE SPECIFIED DIM ARE IN INCHES TOL ON ANGLES ± 1° 2 PL ± 0.010" 3 PL ± 0.005" INTERPRET DIM AND TOL PER ASME Y14.5M - 1994 | DESIGN BY: RCS DATE: 07/01/26 DRAWN BY: JGM DATE: 08/10/08 AUTH: DATE: AUTH: DATE: AUTH: DATE: FILENAME: 77167.DGN | NORTH AMERICA 301 NORTH GAMBER ROAD MOWEE, OHIO 43085 |
| | THIRD ANGLE PROJECTION | NAME: 623.620 PD - 003 SIZE DWG. NO: 623620PD-003 SCALE: 1:2 (LBS/FT.) | REV. NEW SHEET: 1 OF 1 |

11/10/2008
US.DGN
\\monserv01\deceun\deceun\data\dgn\77167.DGN

000.620 PD - 005 - BILL OF MATERIALS 2 LITE

| ITEM NO. | DESCRIPTION | QUANTITY | PART NO. | FAB DWG. NO | SOURCE |
|----------|--|----------|---------------------------------|---------------|--------|
| 1 | FXD PNL TOP RAIL | 1 | 10001102 | 10001102-F-01 | A |
| 2 | STILE | 2 | 10001102 | 10001102-F-01 | A |
| 3 | BOTTOM RAIL | 1 | 10001102 | 10001102-F-02 | A |
| 4 | INTERLOCK | 1 | 10001117 | 10001117-F-04 | A |
| 5 | SCREW COVER | 1 | 10001118 | STRAIGHT CUT | A |
| 6 | GLAZING BEAD | 4 | 10001111 | 10001111-F-01 | A |
| 7 | STILE REINFORCEMENT - JAMB | 1 | 10300150 | STRAIGHT CUT | PPPP |
| 8 | STILE REINFORCEMENT - INTERLOCK | 1 | 10300151 | STRAIGHT CUT | PPPP |
| 9 | WEATHER-STRIPPING - .270 x .250 | AS REQ'D | W21255MW | | HHHH |
| 10 | | | | | |
| 11 | OPR PNL RAIL - TOP | 1 | 10001102 | 10001102-F-01 | A |
| 12 | STILE - INTERLOCK | 1 | 10001102 | 10001102-F-03 | A |
| 13 | STILE - LOCK | 1 | 10001102 | 10001102-F-04 | A |
| 14 | RAIL - BOTTOM | 1 | 10001102 | 10001102-F-05 | A |
| 15 | INTERLOCK | 1 | 10001117 | 10001117-F-02 | A |
| 16 | SCREW COVER | 1 | 10001118 | STRAIGHT CUT | A |
| 17 | GLAZING BEAD | 4 | 10001111 | 10001111-F-01 | A |
| 18 | STILE REINFORCEMENT - INTERLOCK | 1 | 10300151 | STRAIGHT CUT | PPPP |
| 19 | STILE REINFORCEMENT - LOCK | 1 | 10300150 | 10300150-F-01 | PPPP |
| 20 | RAIL REINFORCEMENT - BOTTOM | 1 | 10300152 | 10300152-F-01 | PPPP |
| 21 | WEATHER-STRIPPING - .270 x .250 | AS REQ'D | W21255MW | | HHHH |
| 22 | | | | | |
| 23 | MISC LOCK SET ASSEMBLY - 2817 LOCK W/ TRIMPLATE | 1 | DECU-XXX4 | | F |
| 24 | HANDLE SET ASSEMBLY | 1 | | | F |
| 25 | HANDLE SET - INTERIOR SWITCH | | DECU-XXX1 | | |
| 26 | HANDLE SET - INTERIOR SWITCH / KEY | | DECU-XXX2 | | |
| 27 | HANDLE SET - BLANK | | DECU-XXX3 | | |
| 28 | ROLLER ASSEMBLY - PRECISION 1.66" WHEEL | 2 | 1988PRS166REVSS | | F |
| 29 | DRAFT PLUG - .810 DIA. | 2 | D6096AMWKC 0.810 | | HHHH |
| 30 | 3/8" HOLE PLUG | 2 | 9946 | | D |
| 31 | IMPACT BRACKET | 2 | 011H055-D | | MMMM |
| 32 | 1" INSULATED GLASS | 2 | REFER TO APPLICABLE TEST REPORT | | |
| 33 | SETTING BLOCKS (REFER TO IG SUPPLIER GUIDELINES) | AS REQ'D | REFER TO APPLICABLE TEST REPORT | | |
| 34 | GLAZING COMPOUND | AS REQ'D | REFER TO APPLICABLE TEST REPORT | | |
| 35 | | | | | |
| 36 | SCREWS LOCK SET | 2 | #8 x 1.5" PFH - 410SS | | |
| 37 | ROLLER ASSEMBLY | 4 | #8 x 1" PPH - 410SS | | |
| 38 | FIXED PANEL TO JAMB | 10 | #8 x .75" PFH - PAINTED | | |
| 39 | REINFORCMENT TO PANEL | AS REQ'D | #8 x 1" PFH - 410SS | | |
| 40 | INTERLOCK | AS REQ'D | #8 x .75" PPH - 410SS | | |
| 41 | IMPACT BRACKET | 6 | #8 x 3" PFH - PAINTED | | |
| 42 | | | | | |

Architectural Testing
 Test sample complies with these details
 Deviations are noted.
 Report# 11719
 Date 1-11-11
 Tech CAC

| REV | DATE | DESCRIPTION | BY |
|-----|------|-------------|----|
| | | | |
| | | | |
| | | | |
| | | | |


CONFIDENTIAL
 UNPUBLISHED WORK © 2008
 DECEUNINCK NORTH AMERICA

| | |
|------------------------------------|------------------|
| deceuninck NORTH AMERICA | |
| MONROE, OH | COPYRIGHT 2008 |
| NAME: | 000.620 PD - 005 |
| DWN BY: | JGM |
| CHKD BY: | |
| DWG NO: | 000620PD-005 |

THIS DOCUMENT CONTAINS PROPRIETARY AND CONFIDENTIAL INFORMATION. DO NOT COPY OR DISCLOSE THIS INFORMATION WITHOUT THE EXPRESS WRITTEN CONSENT OF DECEUNINCK NORTH AMERICA. DECEUNINCK NORTH AMERICA RESERVES THE RIGHT TO CHANGE THIS DRAWING AND ANY ASSOCIATED DOCUMENTS.


623.000 PD - 003 - BILL OF MATERIALS 2 LITE

| ITEM NO. | DESCRIPTION | QUANTITY | PART NO. | FAB DWG. NO | SOURCE |
|----------|---------------------------------|----------|------------------------|---------------|--------|
| 1 | HEAD | 1 | 10001100 | 10001100-F-01 | A |
| 2 | JAMB | 2 | 10001100 | 10001100-F-05 | A |
| 3 | EXTERIOR FRAME COVER | 1 | 10001104 | 10001104-F-01 | A |
| 4 | INTERIOR FRAME COVER | 2 | 10001104 | STRAIGHT CUT | A |
| 5 | SILL | 1 | 10001101 | 10001101-F-01 | A |
| 6 | SILL THRESHOLD | 1 | 10300171 | 10300171-F-01 | PPPP |
| 7 | SILL RISER | 1 | 10001105 | 10001105-F-01 | A |
| 8 | WEATHER-STRIPPING - .270 x .250 | AS REQ'D | W21255MW | | HHHH |
| 9 | | | | | |
| 10 | MISC SNUBBER | 2 | 10300148 | 10300148-F-01 | PPPP |
| 11 | ROLLER TRACK CAP | 1 | 16719-01 | STRAIGHT CUT | N |
| 12 | L - BRACKET | 2 | 011H027 | | LLLL |
| 13 | SILL FRAME GASKET | 2 | G-A302-Z1-G600 | | CC |
| 14 | FRAME REINFORCEMENT | 4 | 10300149 | STRAIGHT CUT | PPPP |
| 15 | KEEPER | 1 | | | F |
| 16 | 2778 KEEPER - YZD MILD STEEL | | DECU-2808-00 | | |
| 17 | 2778 KEEPER - STAINLESS STEEL | | DECU-2808-84 | | |
| 18 | SCREEN KEEPER | 1 | 011H040 | | MMMM |
| 19 | BUMPER STOP | 2 | 2152.525 | | F |
| 20 | | | | | |
| 21 | SCREWS SNUBBER | 16 | #8 x 1.25" PFH - 410SS | | |
| 22 | L - BRACKET - HEAD & SASH | 8 | #8A x 1" PFH - 410SS | | |
| 23 | L - BRACKET - HEAD & SASH | 4 | #8 x 2.5" PFH - 410SS | | |
| 24 | KEEPER (INSTALLATION) | 2 | #8 x 2.5" PFH - 410SS | | |
| 25 | SILL RISER | 4 | #8 x 1.25" PFH - 410SS | | |
| 26 | FRAME ASSEMBLY | 12 | #8 x 2.5" PPH - 410SS | | |
| 27 | SCREEN KEEPER | 2 | #6 x .375" PPH | | |
| 28 | | | | | |
| 29 | | | | | |
| 30 | | | | | |


Architectural Testing
 Test sample complies with these details.
 Deviations are noted.
 Report# A1719
 Date 1-11-11 Tech CHE

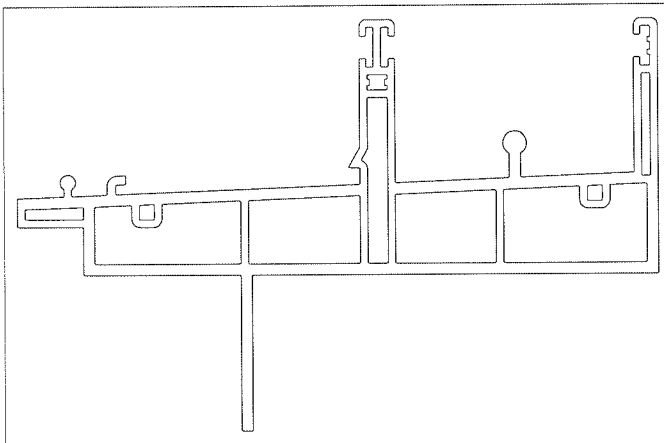
| REV | DATE | DESCRIPTION | BY |
|-----|------|-------------|----|
| | | | |
| | | | |
| | | | |

CONFIDENTIAL
 UNPUBLISHED WORK © 2008
 DECEUNINCK NORTH AMERICA

deceuninck 
NORTH AMERICA

MONROE, OH COPYRIGHT 2008

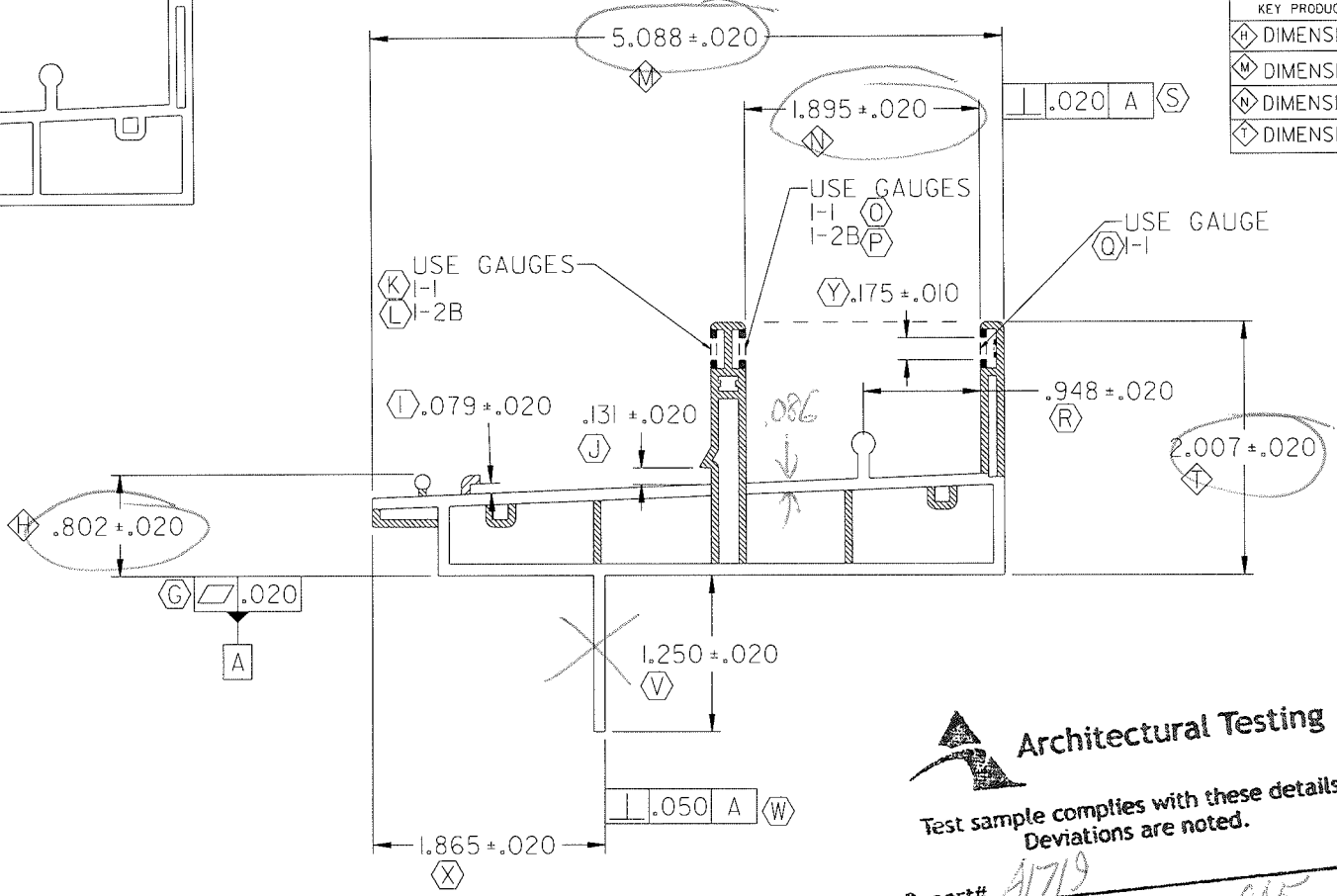
| | |
|----------|------------------|
| NAME: | 623.000 PD - 003 |
| DWN BY: | JGM |
| CHKD BY: | |
| DWG NO: | 623000PD-003 |



CAD MAINTAINED. CHANGES SHALL BE INCORPORATED BY THE DESIGN ACTIVITY.

| REVISION HISTORY | | | |
|------------------|-------------|----------|----------|
| REV | DESCRIPTION | DATE | APPROVED |
| F | KPC | 09/11/04 | BWB |

| KEY PRODUCT CHARACTERISTICS | |
|-----------------------------|-------------------------|
| Ⓜ | DIMENSION .782 - .822 |
| Ⓜ | DIMENSION 5.068 - 5.108 |
| Ⓜ | DIMENSION 1.875 - 1.915 |
| Ⓜ | DIMENSION 1.987 - 2.207 |



WALL THICKNESS

| | |
|--------|---------------------|
| .090 - | [White] |
| .070 - | [Diagonal Hatching] |
| .060 - | [Cross-hatching] |
| .050 - | [Dark Grey] |
| .040 - | [Black] |

- NOTES:
1. 'STD00013' STRAIGHTNESS CLASS A AND LENGTH TOLERANCES APPLY Ⓜ
 2. INTERPRET ALL TOLERANCE APPLICATIONS PER STD0013 Ⓜ
 3. UNSPECIFIED EXTERNAL RADI = .XXX +.010 / -.005 Ⓜ
 4. UNSPECIFIED INTERNAL RADI = .XXX +.020 / -.005 Ⓜ
 5. UNSPECIFIED EXTERNAL WALL THICKNESS = .XXX +/- 10% Ⓜ
 6. UNSPECIFIED INTERNAL WALL THICKNESS = .XXX +/- 20% Ⓜ

Architectural Testing
 Test sample complies with these details.
 Deviations are noted.

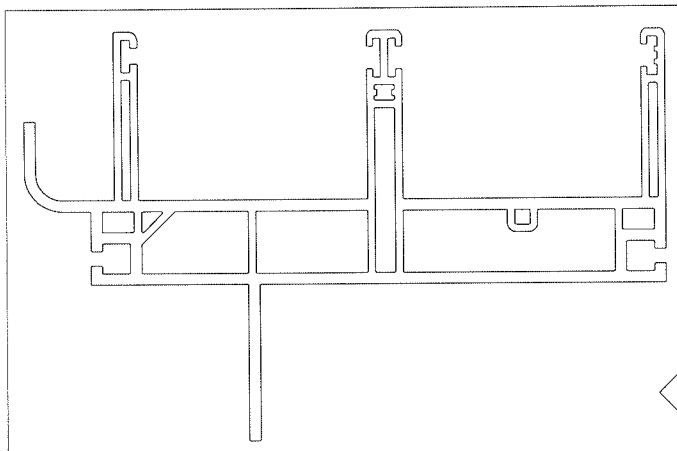
Report# A1719
 Date 1-11-11 Tech CAE

| | | | | |
|--|---|--|--|--|
| CONFIDENTIAL UNPUBLISHED WORK © 2009 DECEUNINCK NORTH AMERICA | UNLESS OTHERWISE SPECIFIED DIM ARE IN INCHES TOL ON ANGLES = 1° 2 PL: ± 0.010 3 PL: ± 0.005* INTERPRET DIM AND TOL PER ASME Y14.5M - 1994 | DESIGN BY: RJC DATE: 00/10/20 DRAWN BY: RJC DATE: 00/10/20 AUTH: DATE: AUTH: DATE: AUTH: DATE: FILENAME: \$FILE NAME\$ | 351 NORTH GARVER ROAD MONROE, OHIO 43060 NAME: SILL FRAME - PD SIZE DWG. NO: 1000101.SH SCALE: 1:1 (LBS/FT.) 1:106 SHEET: 1 OF 1 | |
| | THIS DOCUMENT CONTAINS PROPRIETARY AND CONFIDENTIAL INFORMATION. DO NOT COPY OR DISCLOSE THIS INFORMATION WITHOUT THE EXPRESS WRITTEN CONSENT OF DECEUNINCK NORTH AMERICA. DECEUNINCK NORTH AMERICA RESERVES THE RIGHT TO CHANGE THIS DRAWING AND ANY ASSOCIATED DOCUMENTS. | THIRD ANGLE PROJECTION | | |
| | | | | |

SPROTTAIES

SUSERS

SFILES



CAD MAINTAINED. CHANGES SHALL BE INCORPORATED BY THE DESIGN ACTIVITY.

| REVISION HISTORY | | | |
|------------------|---------------------------------|----------|----------|
| REV | DESCRIPTION | DATE | APPROVED |
| L | REMOVED INTERIOR WSS DIMENSIONS | 10/05/26 | BWB |

WALL THICKNESS

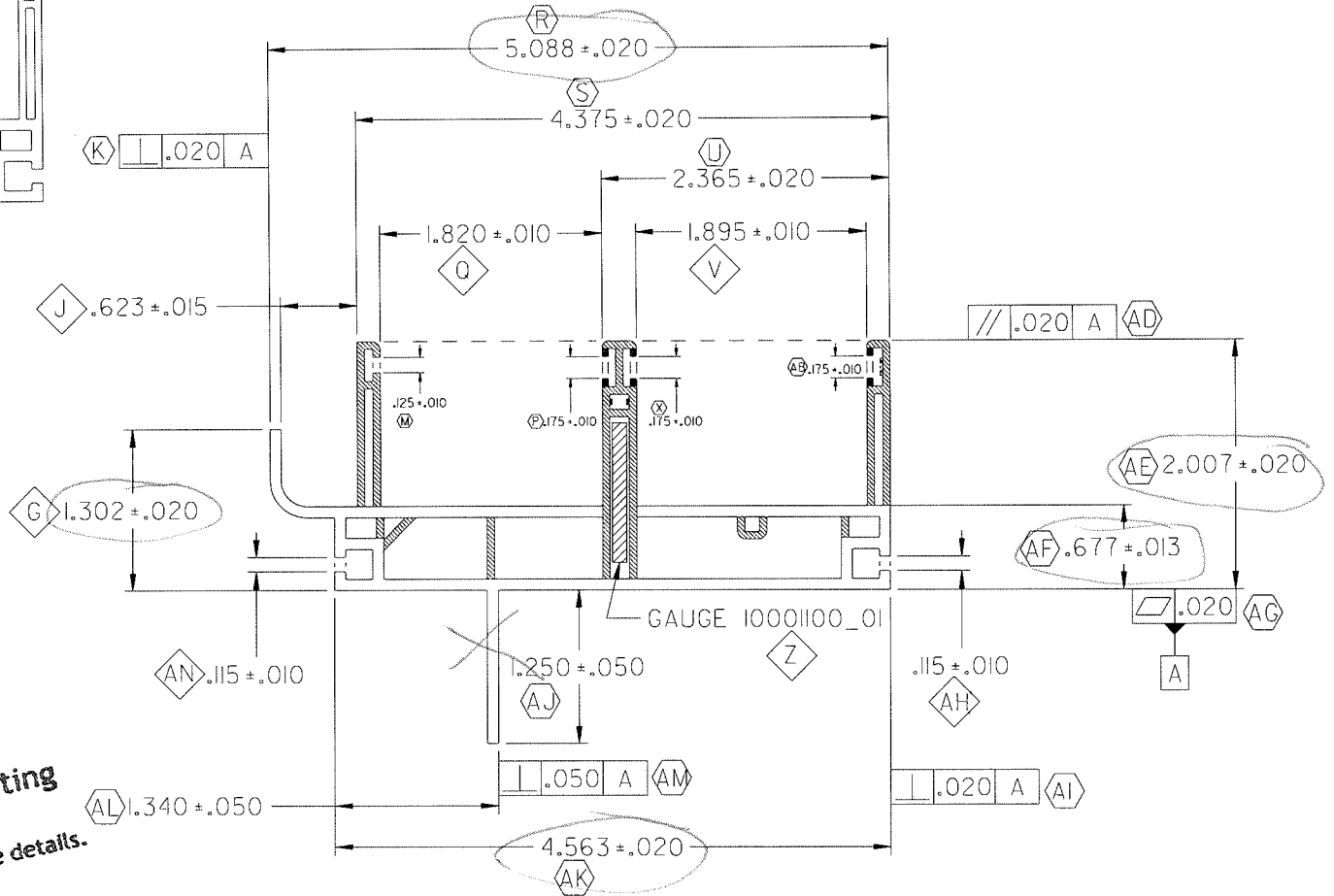
| | |
|------|---------------------|
| .090 | [White Box] |
| .060 | [Diagonal Hatching] |
| .050 | [Solid Black] |
| .040 | [Cross-hatching] |

| KEY PRODUCT CHARACTERISTICS | |
|-----------------------------|-------------------------|
| \diamond G | DIMENSION 1.282 - 1.322 |
| \diamond J | DIMENSION .608 - .638 |
| \diamond Q | DIMENSION 1.810 - 1.830 |
| \diamond V | DIMENSION 1.885 - 1.905 |
| \diamond Z | GAUGE 10001100_01 |
| \diamond AH | DIMENSION .105 - .125 |
| \diamond AN | DIMENSION .105 - .125 |

Architectural Testing
 Test sample complies with these details.
 Deviations are noted.

Report# A1719
 Date 1-11-11 Tech CAE

- NOTES:
- 'STD00013' STRAIGHTNESS CLASS A AND LENGTH TOLERANCES APPLY \diamond
 - INTERPRET ALL TOLERANCE APPLICATIONS PER STD00013 \diamond
 - UNSPECIFIED EXTERNAL RADIUS = .XXX +.010 / -.005 \diamond
 - UNSPECIFIED INTERNAL RADIUS = .XXX +.020 / -.005 \diamond
 - UNSPECIFIED EXTERNAL WALL THICKNESS = .XXX +/- 10% \diamond
 - UNSPECIFIED INTERNAL WALL THICKNESS = .XXX +/- 20% \diamond



CONFIDENTIAL
 UNPUBLISHED WORK © 2010
 DECEUNINCK NORTH AMERICA

THIS DOCUMENT CONTAINS PROPRIETARY AND CONFIDENTIAL INFORMATION. DO NOT COPY OR DISCLOSE THIS INFORMATION WITHOUT THE EXPRESS WRITTEN CONSENT OF DECEUNINCK NORTH AMERICA. DECEUNINCK NORTH AMERICA RESERVES THE RIGHT TO CHANGE THIS DRAWING AND ANY ASSOCIATED DOCUMENTS.

UNLESS OTHERWISE SPECIFIED
 DIM ARE IN INCHES
 TOL ON ANGLES ± 1°
 2 PL: ± 0.010 3 PL: ± 0.005*
 INTERPRET DIM AND TOL PER
 ASME Y14.5M - 1994

THIRD ANGLE PROJECTION

| | |
|-------------|----------|
| DESIGN BY: | CTC |
| DATE: | 05/03/30 |
| DRAWN BY: | CTC |
| DATE: | 05/03/30 |
| AUTH: | DATE: |
| AUTH: | DATE: |
| AUTH: | DATE: |
| FILENAME: | |
| *FILE NAME* | |

deceuninck NORTH AMERICA

311 NORTH GARVER ROAD
 MORAHE, OHIO 44020

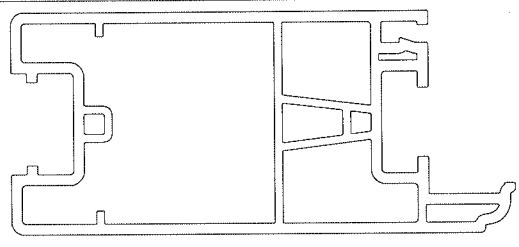
NAME: **MAIN FRAME - PD**

SIZE DWG. NO: 1000100_SH
 SCALE: 1:1 (LBS/FT.) 1/8" SHEET: 1 OF 1

SPLD04265

SUSERS

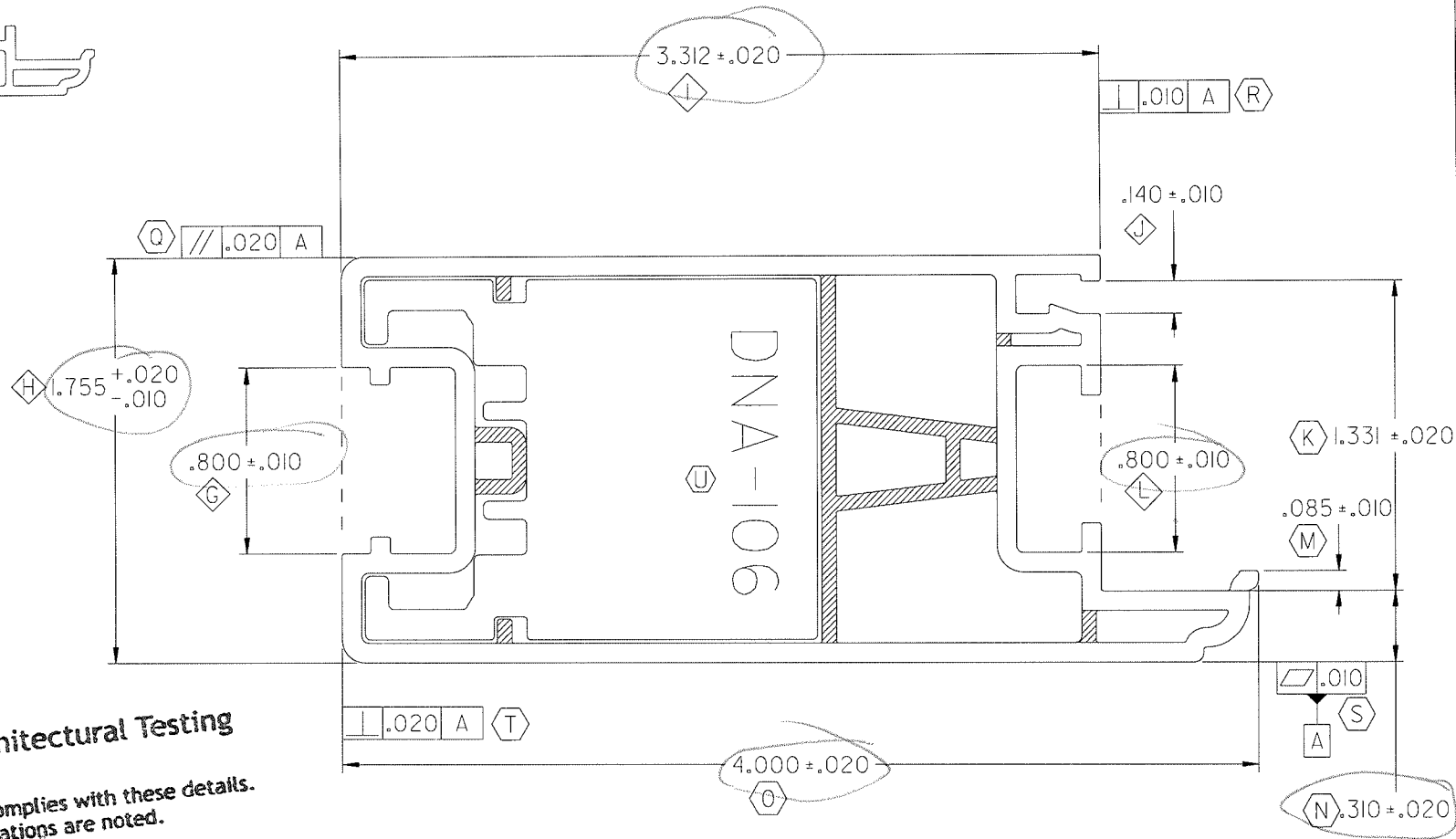
SFILES



SCALE 1:1

CAD MAINTAINED. CHANGES SHALL BE INCORPORATED BY THE DESIGN ACTIVITY.

| REVISION HISTORY | | | |
|------------------|-------------|----------|----------|
| REV | DESCRIPTION | DATE | APPROVED |
| H | ADDED GAUGE | 09/05/26 | BWB |



| KEY PRODUCT CHARACTERISTICS | |
|-----------------------------|-------------------------------|
| G | FRAME DIMENSION .790 - .810 |
| H | FRAME DIMENSION 1.745 - 1.775 |
| I | FRAME DIMENSION 3.292 - 3.332 |
| J | FRAME DIMENSION .130 - .150 |
| L | FRAME DIMENSION .790 - .810 |

| WALL THICKNESS | |
|----------------|--|
| .085 | |
| .063 | |

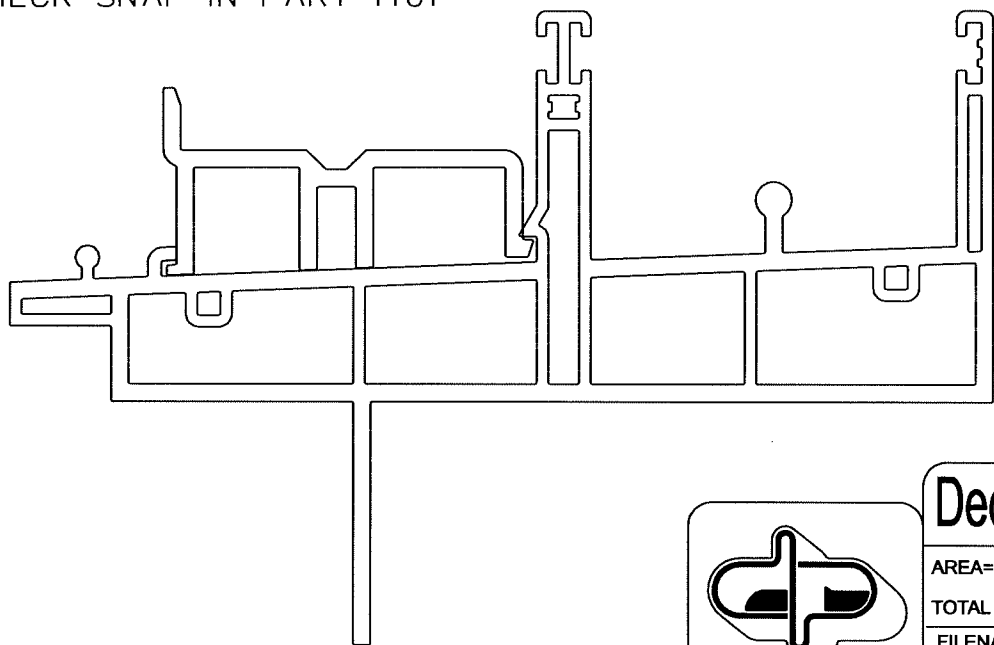
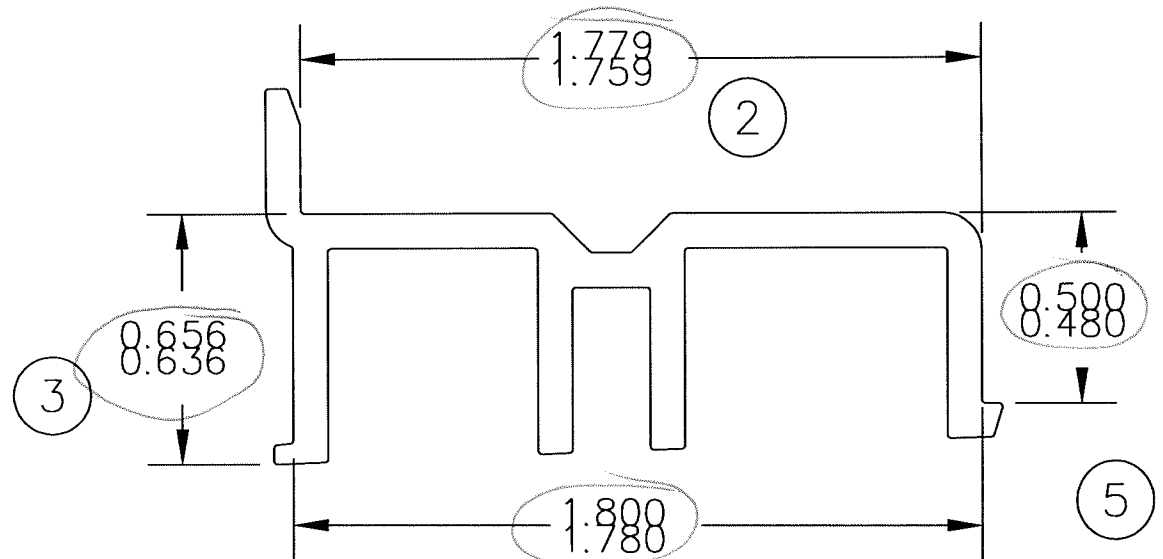
Architectural Testing
 Test sample complies with these details.
 Deviations are noted.
 Report# A1719
 Date 11-11 Tech CAE

- NOTES:
- 'ST000013' STRAIGHTNESS CLASS B AND LENGTH TOLERANCES APPLY (A)
 - INTERPRET ALL TOLERANCE APPLICATIONS PER ST00013 (B)
 - UNSPECIFIED EXTERNAL RADIUS = .XXX +.010 / -.005 (C)
 - UNSPECIFIED INTERNAL RADIUS = .XXX +.020 / -.005 (D)
 - UNSPECIFIED EXTERNAL WALL THICKNESS = .XXX +/- 10% (E)
 - UNSPECIFIED INTERNAL WALL THICKNESS = .XXX +/- 20% (F)

| | | | |
|--|---|--|--|
| CONFIDENTIAL UNPUBLISHED WORK © 2008 DECEUNINCK NORTH AMERICA | UNLESS OTHERWISE SPECIFIED DIM ARE IN INCHES TOL ON ANGLES ± 1° 2 PL: ± 0.010* 3 PL: ± 0.005* INTERPRET DIM AND TOL PER ASME Y14.5M - 1994 | DESIGN BY: SJD DATE: 01/06/21 DRAWN BY: SJD DATE: 01/06/21 AUTH: DATE: AUTH: DATE: AUTH: DATE: FILENAME: \$FILE NAME\$ | 331 NORTH GARVER ROAD MONROE, OHIO 43000 NAME: MAIN SASH - PD SIZE DWG. NO: 1000102.SH SCALE: 2:1 (LBS/FT.) .900 SHEET: 1 OF 1 |
| | THIRD ANGLE PROJECTION | REV. G FILES | |

1 WALL THICKNESS 0.100
0.080

6 CHECK SNAP IN PART 1101



Architectural Testing
 Test sample complies with these details.
 Deviations are noted.

Report# A1719
 Date 1-11-11 Tech CAL



Deceuninck[®] NORTH AMERICA/Oakland NJ.

| | | | |
|-------------------|------------------|-----------------|--------------|
| AREA= | | TOL: ± 0.010 | |
| TOTAL WEIGHT= | | | |
| FILENAME: path | | | |
| BY CTC | DATE 11/14/05 | MAT'L PVC | SCALE 2:1 |

SILL INSERT

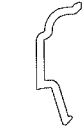
10001105_SH

| REV | BY | APP'VD | DATE | CHANGE |
|-----|----|--------|------|--------|
| | | | | |

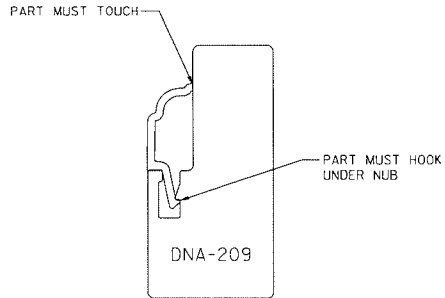
CAD MAINTAINED. CHANGES SHALL BE INCORPORATED BY THE DESIGN ACTIVITY.

| REVISION HISTORY | | | |
|------------------|-------------|----------|----------|
| REV | DESCRIPTION | DATE | APPROVED |
| D | ADDED GAUGE | 09/10/15 | BWB |

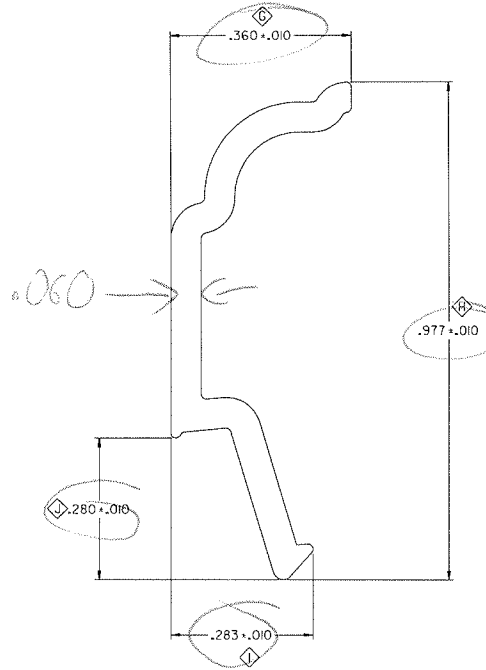
| KEY PRODUCT CHARACTERISTICS | |
|-----------------------------|---------------|
| G | GAUGE DNA-209 |
| H | GAUGE DNA-209 |
| I | GAUGE DNA-209 |
| J | GAUGE DNA-209 |



SCALE 1:1



SLIDE PART INTO GAUGE FROM THE END. PART WILL NOT SNAP INTO GAUGE



Test sample complies with these details. Deviations are noted.

Report# A1719
Date 1-11-11 Tech CAE

WALL THICKNESS

.060 -

NOTES:

- 'STD00013' STRAIGHTNESS CLASS A AND LENGTH TOLERANCES APPLY (A)
- INTERPRET ALL TOLERANCE APPLICATIONS PER STD00013 (B)
- UNSPECIFIED EXTERNAL RADII = .XXX +.010 / -.005 (C)
- UNSPECIFIED INTERNAL RADII = .XXX +.020 / -.005 (D)
- UNSPECIFIED EXTERNAL WALL THICKNESS = .XXX +/- 10% (E)
- UNSPECIFIED INTERNAL WALL THICKNESS = .XXX +/- 20% (F)

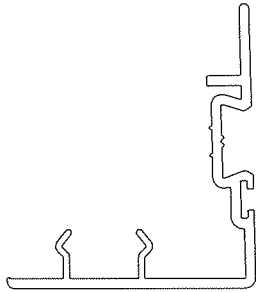
USE MYLAR 1000III,0P REV C

| | | | |
|--|---|--|---|
| CONFIDENTIAL UNPUBLISHED WORK © 2007 DECEUNINCK NORTH AMERICA | UNLESS OTHERWISE SPECIFIED DIM ARE IN INCHES TOL ON ANGLES ± 1° 2 PL: ± 0.010' 3 PL: ± 0.005' INTERPRET DIM AND TOL PER ASME Y14.5M - 1994 | DESIGN BY: MG DATE: 00/12/01 DRAWN BY: MG DATE: 00/12/01 AUTH: DATE: AUTH: DATE: AUTH: DATE: FILENAME: 1000III_SH.dgn | 251 NORTH GARVER ROAD MOORE, OK 73160 NAME: GLAZING BEAD SIZE DWG. NO: 1000III_SH SCALE: 4:1 [LBS/FT.] .049 SHEET: |
| | THIS DOCUMENT CONTAINS PROPRIETARY AND CONFIDENTIAL INFORMATION. DO NOT COPY OR DISCLOSE THIS INFORMATION WITHOUT THE EXPRESS WRITTEN CONSENT OF DECEUNINCK NORTH AMERICA. DECEUNINCK NORTH AMERICA RESERVES THE RIGHT TO CHANGE THIS DRAWING AND ANY ASSOCIATED DOCUMENTS. | THIRD ANGLE PROJECTION | REV. C |

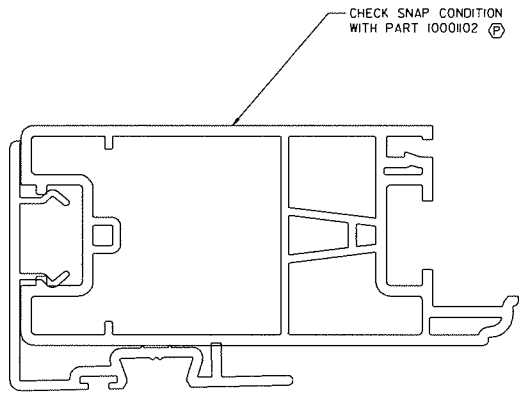
CAD MAINTAINED. CHANGES SHALL BE INCORPORATED BY THE DESIGN ACTIVITY.

REVISION HISTORY

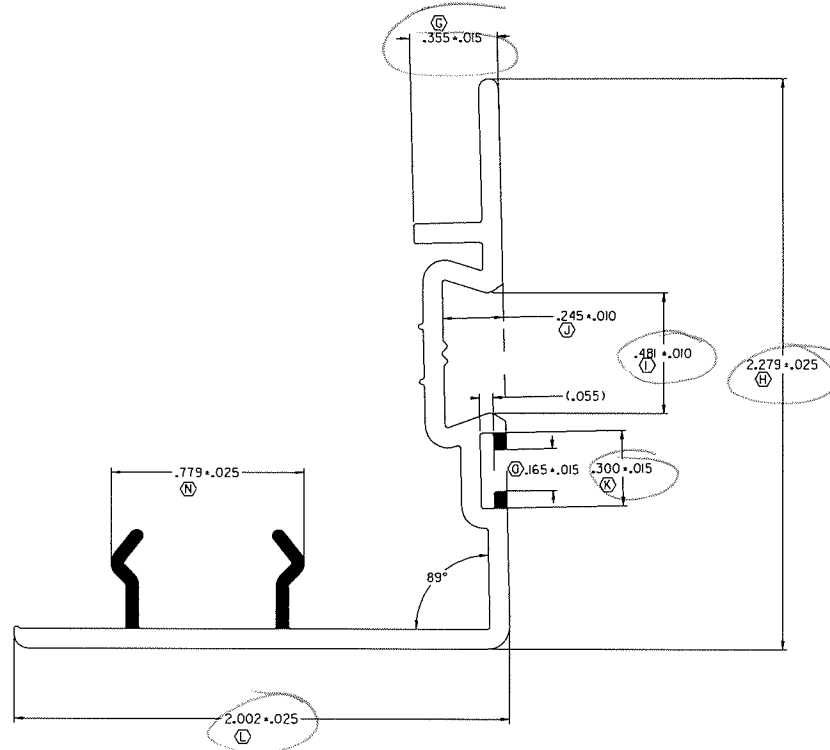
| REV | DESCRIPTION | DATE | APPROVED |
|-----|-------------------------|----------|----------|
| D | UPDATE TO CURRENT STNDS | 08/06/24 | BWB |



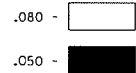
SCALE 1:1



CHECK SNAP CONDITION WITH PART 1000102 (P)



WALL THICKNESS



Architectural Testing
 Test sample complies with these details.
 Deviations are noted.

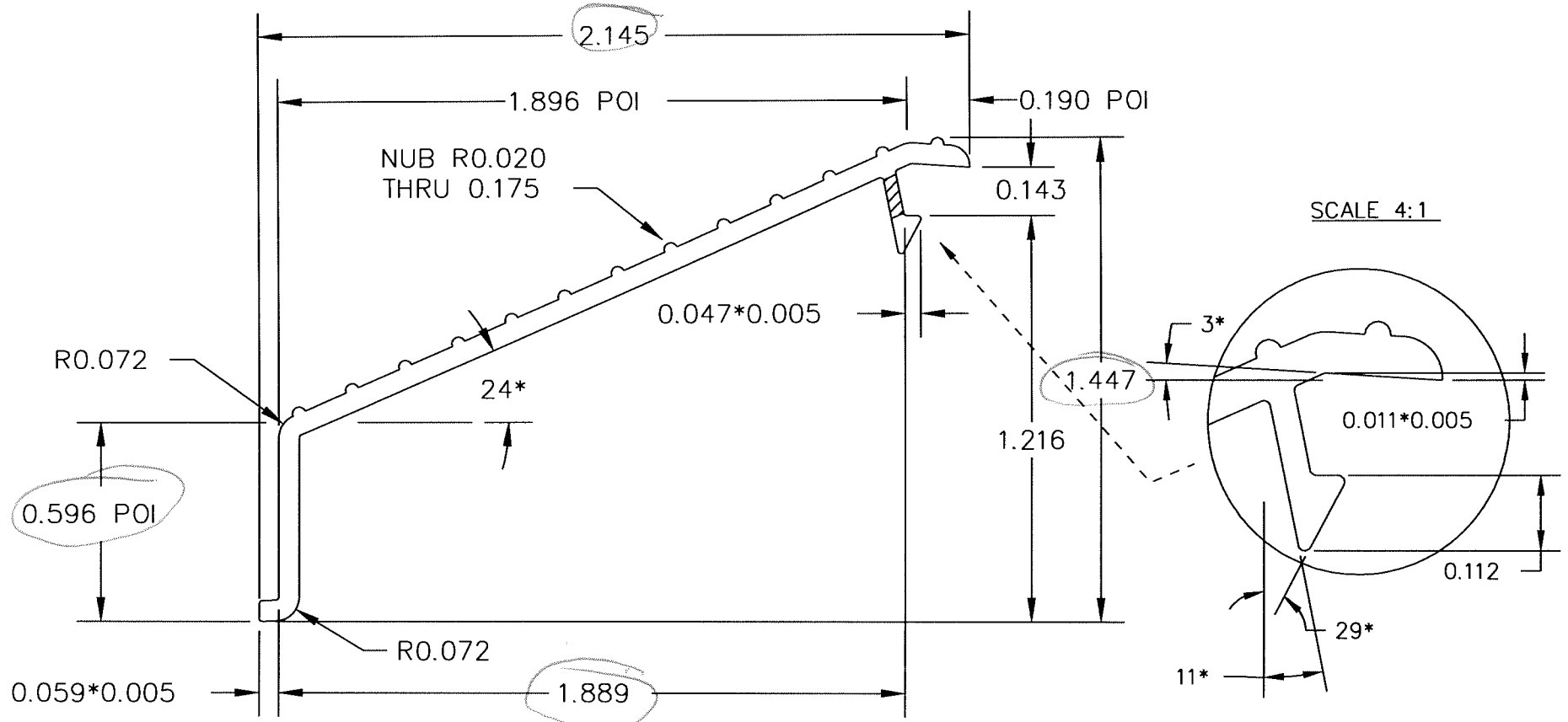
Report# A1719
 Date 1-11-11 Tech CAE

NOTES:

- 'ST000013' STRAIGHTNESS CLASS A AND LENGTH TOLERANCES APPLY (A)
- INTERPRET ALL TOLERANCE APPLICATIONS PER ST000013 (B)
- UNSPECIFIED EXTERNAL RADII = .XXX ± .010 / -.005 (C)
- UNSPECIFIED INTERNAL RADII = .XXX ± .020 / -.005 (D)
- UNSPECIFIED EXTERNAL WALL THICKNESS = .XXX +/- 10% (E)
- UNSPECIFIED INTERNAL WALL THICKNESS = .XXX +/- 20% (F)

| | | | |
|--|---|---|---|
| CONFIDENTIAL UNPUBLISHED WORK © 2008 DECEUNINCK NORTH AMERICA | UNLESS OTHERWISE SPECIFIED DIM ARE IN INCHES TOL ON ANGLES ± ° 2 PL ± 0.010° 3 PL ± 0.005° INTERPRET DIM AND TOL PER ASME Y14.5M - 1994 | DESIGN BY: PGM DATE: 06/12/22 DRAWN BY: JGM DATE: 07/01/02 AUTH: DATE: AUTH: DATE: AUTH: DATE: FILENAME: #FILE NAME# | deceuninck NORTH AMERICA 391 NORTH GARVER ROAD MORRIS, OHIO 43060 |
| | THIS DOCUMENT CONTAINS PROPRIETARY AND CONFIDENTIAL INFORMATION. DO NOT COPY OR DISCLOSE THIS INFORMATION WITHOUT THE EXPRESS WRITTEN CONSENT OF DECEUNINCK NORTH AMERICA. DECEUNINCK NORTH AMERICA RESERVES THE RIGHT TO CHANGE THIS DRAWING AND ANY ASSOCIATED DOCUMENTS. | THIRD ANGLE PROJECTION | NAME: SASH ADAPTER SIZE/DWG. NO: 1000117_SH SCALE: 2:1 (LBS/FT.) .290 SHEET: 1 OF 1 |

SPL001.DWG



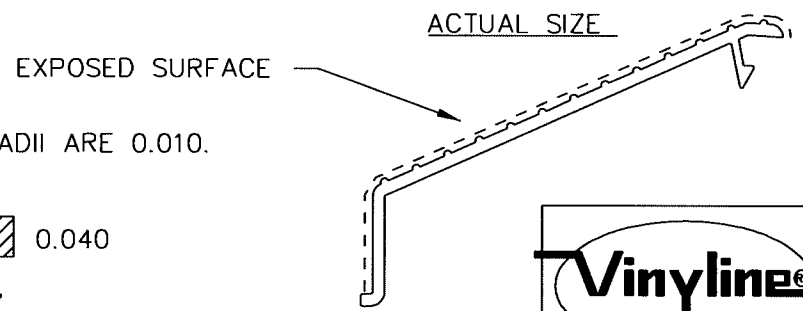
Architectural Testing
 Test sample complies with these details.
 Deviations are noted.
 Report# A1719
 Date 11-11 Tech CAE

NOTES:

1. ALL UNSPECIFIED RADII ARE 0.010.
2. WALL THICKNESS.



3. PAINT WITH ALCOA, PPG COLOR UC73603, POLYCRON WHITE.



| | | |
|-----------------------------|--------------------------------------|--|
| Vinylite® | VINYL BUILDING PRODUCTS INC. | |
| | AREA = 0.195 WEIGHT = 0.229 lb/ft | TOLERANCES (EXCEPT AS NOTED) ?.010 [0.25] |
| DRAWN MG | DATE 12/26/00 | APP'VD |
| MAT'L 6061-T6 6105-T5 | SCALE 2/1 | |

| | | | |
|-----|----|---------|---------------|
| A | MB | 2/13/03 | ADDED NOTE 3. |
| REV | BY | APP'VD | DATE |
| | | | CHANGE |

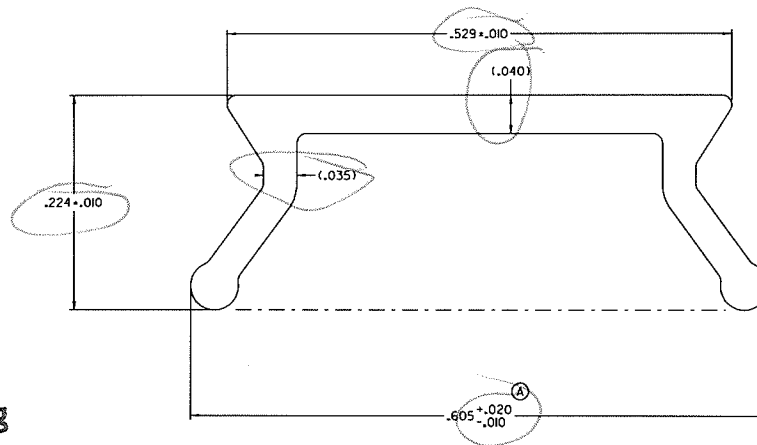
SILL COVER. SLIDER A 10300171

CAD MAINTAINED. CHANGES SHALL BE INCORPORATED BY THE DESIGN ACTIVITY.

| REVISION HISTORY | | | |
|------------------|-------------------|----------|----------|
| REV | DESCRIPTION | DATE | APPROVED |
| A | CHANGED TOLERANCE | 07/01/04 | JGM |



SCALE 1:1



Architectural Testing

Test sample complies with these details.
Deviations are noted.

Report# A1719
Date 1-11-11 Tech CAE

NOTES:

1. 'STDD0013' STRAIGHTNESS CLASS A AND LENGTH TOLERANCES APPLY
2. INTERPRET ALL TOLERANCE APPLICATIONS PER STDD0013
3. UNSPECIFIED EXTERNAL RADI = .XXX +.010 / -.005
4. UNSPECIFIED INTERNAL RADI = .XXX +.020 / -.005
5. UNSPECIFIED EXTERNAL WALL THICKNESS = .XXX +/- 10%
6. UNSPECIFIED INTERNAL WALL THICKNESS = .XXX +/- 20%

CONFIDENTIAL

UNPUBLISHED WORK © 2007
DECEUNINCK NORTH AMERICA

THIS DOCUMENT CONTAINS PROPRIETARY AND CONFIDENTIAL INFORMATION. DO NOT COPY OR DISCLOSE THIS INFORMATION WITHOUT THE EXPRESS WRITTEN CONSENT OF DECEUNINCK NORTH AMERICA. DECEUNINCK NORTH AMERICA RESERVES THE RIGHT TO CHANGE THIS DRAWING AND ANY ASSOCIATED DOCUMENTS.

UNLESS OTHERWISE SPECIFIED
DIM ARE IN INCHES
TOL ON ANGLES = 1°
2 PL ± 0.010° 3 PL ± 0.005°
INTERPRET DIM AND TOL PER
ASME Y14.5M - 1994

THIRD ANGLE PROJECTION



| | |
|------------|----------------|
| DESIGN BY: | PGM |
| DATE: | 06/12/22 |
| DRAWN BY: | JGM |
| DATE: | 07/01/02 |
| AUTH: | DATE: |
| AUTH: | DATE: |
| FILENAME: | 1000118.SH.dgn |



301 NORTH GAMBER ROAD
MORAVIA, OHIO 43050

NAME:
DOOR ACCESSORY - SCREW COVER

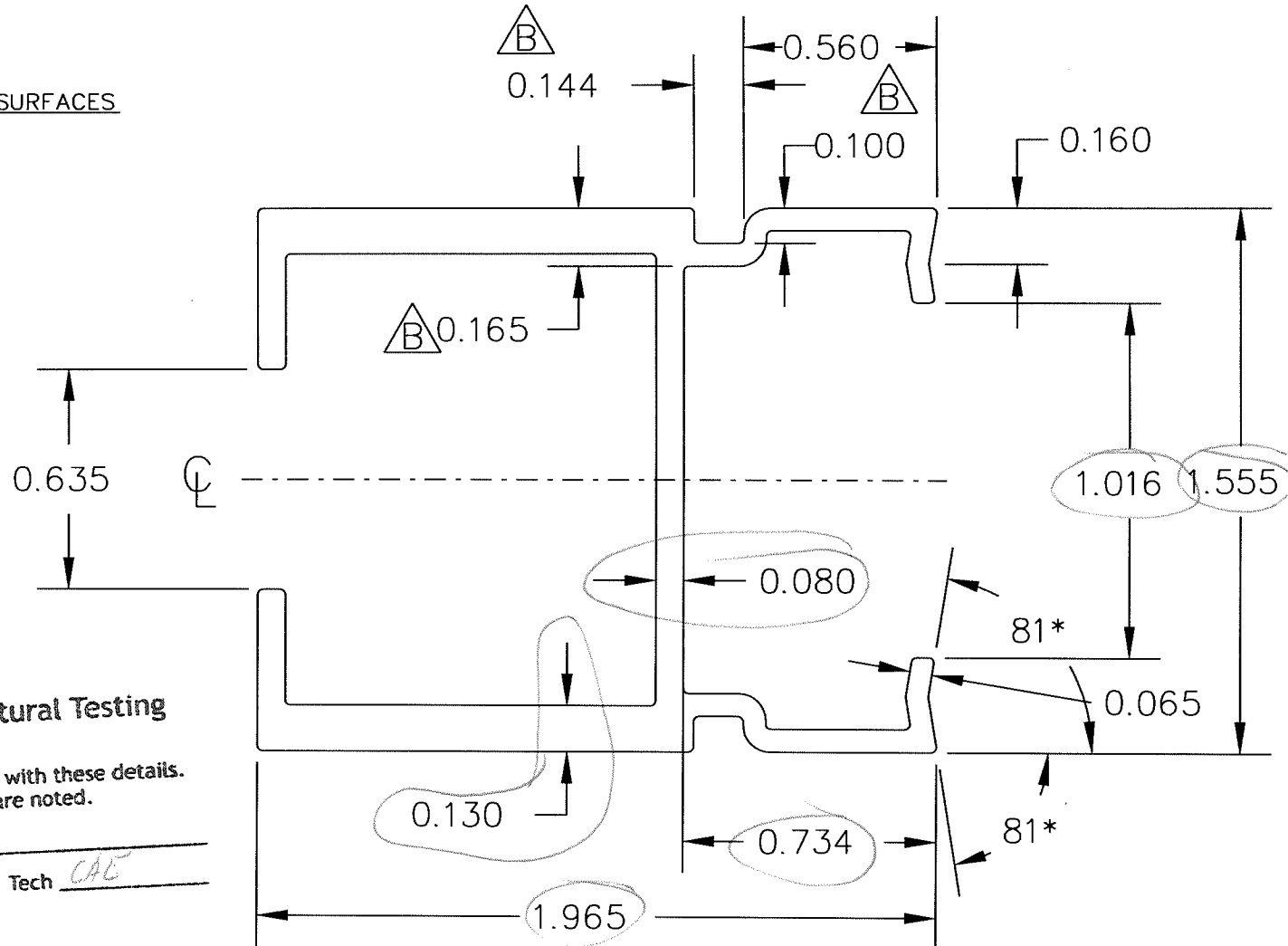
| | | | |
|---------------|----------------------|--------|--------|
| SIZE DWG. NO: | 1000118.SH | REV: | A |
| SCALE: | B ± 1 (LBS/FT.) .023 | SHEET: | 1 OF 1 |

1/4/2007

us/jgm

H:\pdr\msv8\ITEM DETAIL PRINTS\1118\1000118_SH.dgn

NO EXPOSED SURFACES



Architectural Testing
 Test sample complies with these details.
 Deviations are noted.

Report# A1719
 Date 1-11-11 Tech CAE

DNA# 10300150

NOTES:

1. ALL UNSPECIFIED RADII ARE 0.015.
2. MAKE FROM EITHER 6061-T6 or 6105-T6 ALUMINUM.
3. ALCOA PART NUMBER 23441.

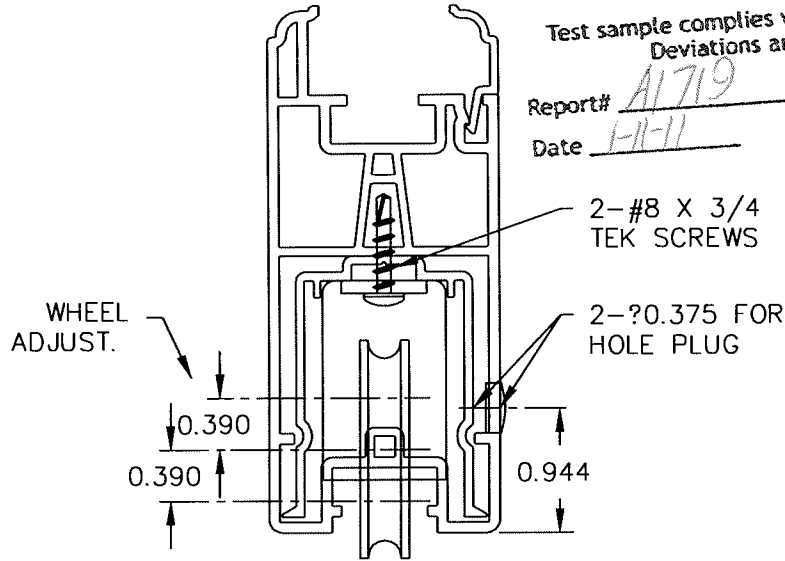
| | | |
|--------------------|---|------------------------------------|
| Vynline® | © VINYL BUILDING PRODUCTS INC. | |
| | AREA= .612 sq in. TOTAL WEIGHT= .7175 lb/ft. | TOLERANCE ±0.010 |
| DRAWN <u>CTC</u> | DATE <u>10/28/04</u> | APPV'D |
| Sash Reinforcement | | MAT'L <u>Al 6105 T-6</u> SCALE 2:1 |
| | | 10300150 |

| | | | | |
|-----|----|--------|----------|---|
| B | CC | | 10/28/04 | Renamed drawing 011H035B Dimension change |
| A | AL | | 6/4/04 | CHANGED MATERIAL SPECS TO MAKE FROM EITHER 6061-T6 or 6105-T6 ALUMINUM |
| REV | BY | APPV'D | DATE | CHANGE |

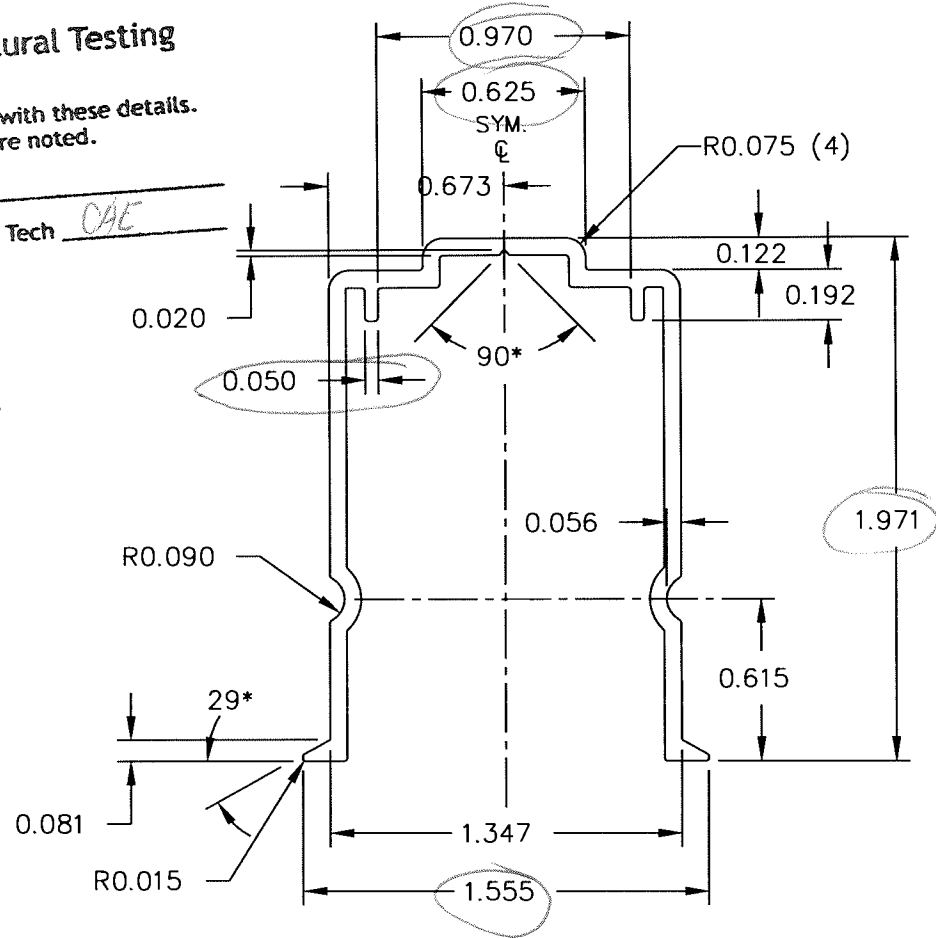


Test sample complies with these details.
Deviations are noted.

Report# A1719
Date 11-11 Tech CAE



PARTS ASSEMBLY
SCALE: 1/2



NOTES:

1. MATERIAL: ALUM. 6005-T5, 6061-T6 or 6105-T5.
2. UNSPECIFIED WALL THICKNESS = .065".
3. BREAK ALL CORNERS R0.015.
4. NO EXPOSED SURFACES.
5. MOMENTS OF INERTIA: $I_{xx}=.147$; $I_{yy}=.118$.

DEPLIS# 10300152



deceuninck

VINYL BUILDING PRODUCTS LLC

AREA = .359 sq. in.
WT/FT = .431 lb.
PERIM. = 11.200 in.
FACTOR = 26

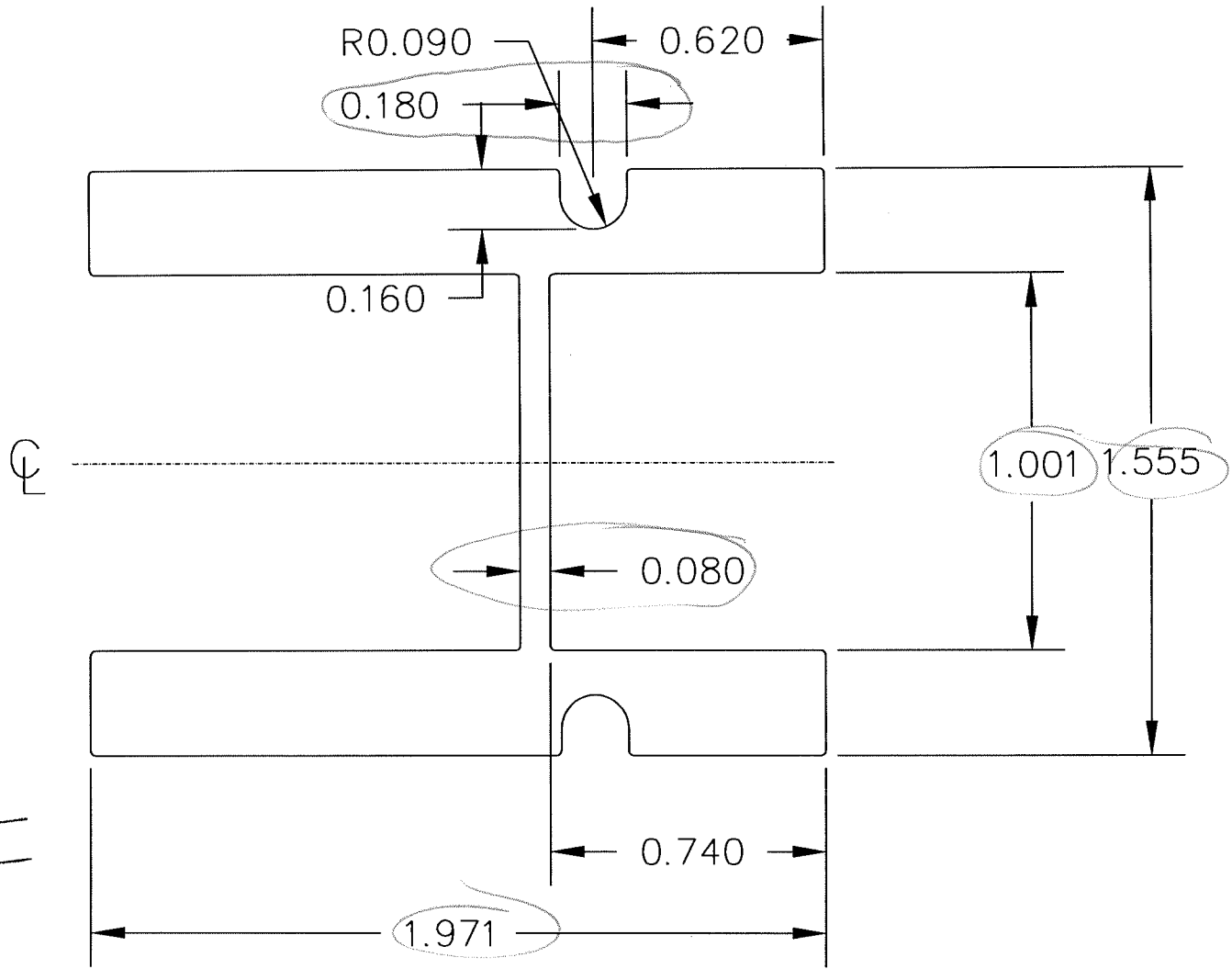
TOLERANCES (EXCEPT AS NOTED)
AA STANDARDS

| | | | | |
|---------------------|------------------|--------|-----------------|---------------|
| DRAWN <i>RJK</i> | DATE 11-30-05 | APP'VD | MAT'L NOTE 1 | SCALE FULL |
|---------------------|------------------|--------|-----------------|---------------|

| REV | BY | DATE | DESCRIPTION |
|-----|----|------|-------------|
| - | - | - | - |

RAIL INSERT-SIDE ADJUST ROLLER 10300152

NO EXPOSED SURFACES



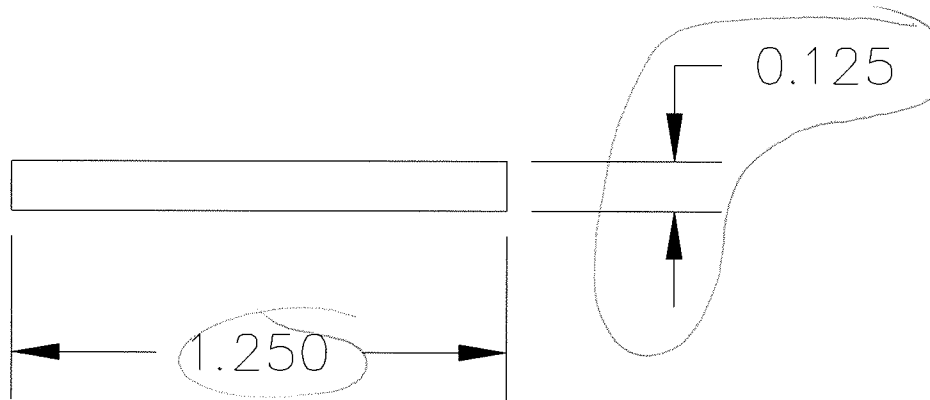
Architectural Testing
 Test sample complies with these details.
 Deviations are noted.

Report# A1719
 Date 1-11-11 Tech CAE

NOTES:
 1. ALL UNSPECIFIED RADII ARE 0.015.

| | | | | |
|------------------------|------------------|--------------------------------------|---|--------------|
| | | VINYL BUILDING PRODUCTS INC. | | |
| | | AREA = 1.121 WEIGHT = 1.316 lb/ft | TOLERANCES (EXCEPT AS NOTED) ? .010 [0.25] | |
| DRAWN <i>MG</i> | DATE 02/05/03 | APPV'D | MAT'L 6105-T5 6061-T6 | SCALE 2/1 |
| SASH REINFORCEMENT XHD | | | A | 10300151 |

| REV | BY | APPV'D | DATE | CHANGE |
|-----|----|--------|------|--------|
| | | | | |




Architectural Testing

Test sample complies with these details.
Deviations are noted.

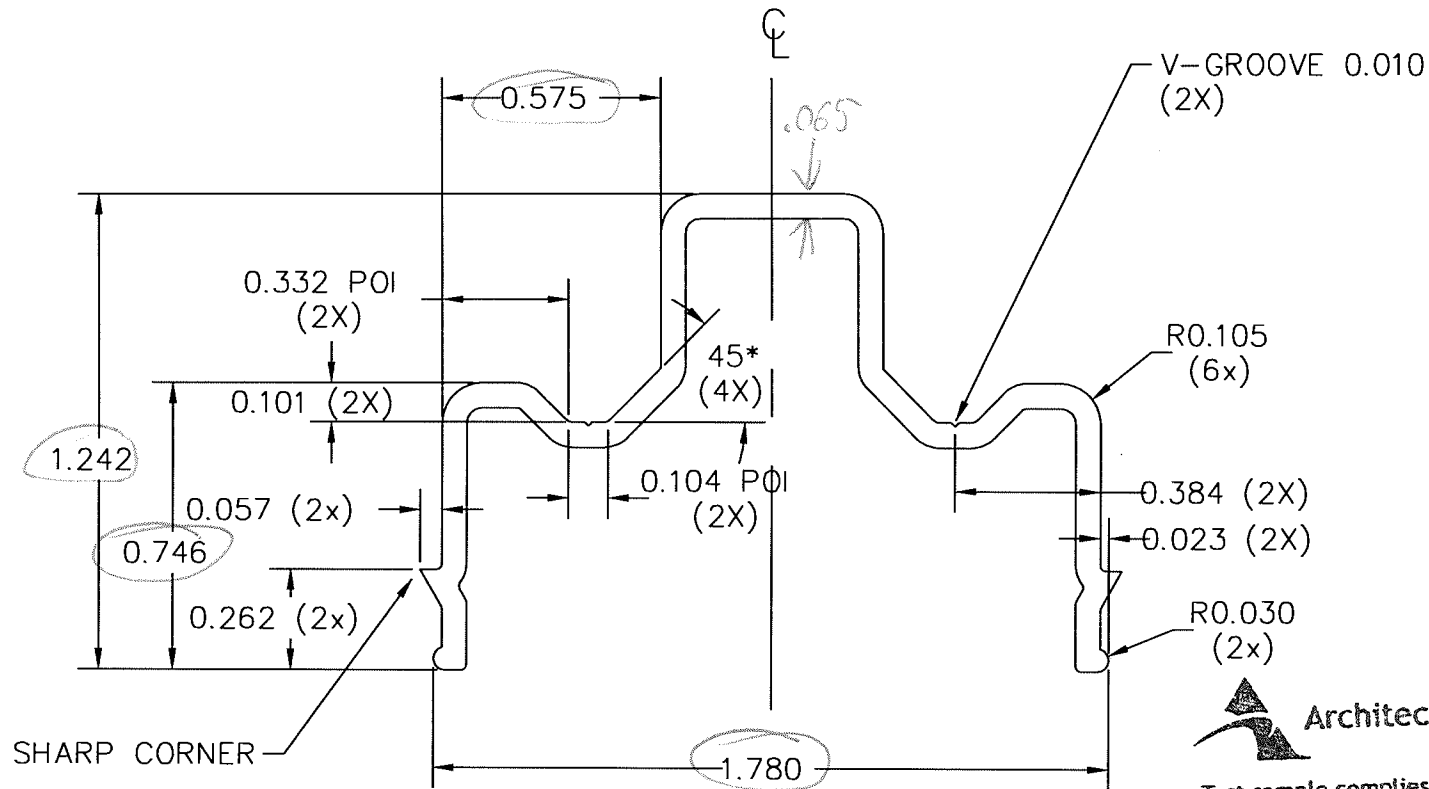
Report# A1719

Date 1-11-11

Tech CAE

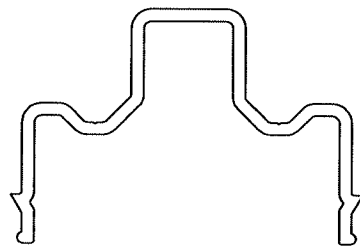
| | | | | |
|---|------------------|-------------------------------------|---|--------------|
|  | | VINYL BUILDING PRODUCTS INC. | | |
| | | AREA = WEIGHT = | TOLERANCES (EXCEPT AS NOTED) ? .010 [0.25] | |
| DRAWN MG | DATE 12/26/00 | APPV'D | MAT'L | SCALE 2/1 |
| ALUMINUM REINFORCEMENT. SLIDER | | | A | 10300149 |

| REV | BY | APPV'D | DATE | CHANGE |
|-----|----|--------|------|--------|
|-----|----|--------|------|--------|



SHARP CORNER

ACTUAL SIZE
NO EXPOSED SURFACES



Test sample complies with these details.
Deviations are noted.

Report# A1719
Date 1-24-11 Tech CAL

NOTES:

1. ALL UNSPECIFIED RADII 0.015.
2. ALCOA P/N 23111 (WHITE P-001, DESERT SAND P-029).

| | | | |
|---------|----|--|--|
| | | © VINYL BUILDING PRODUCTS INC. | |
| | | AREA= 0.269 sq in WEIGHT= 0.316 lb/ft | TOLERANCES (EXCEPT AS NOTED) ±0.010 |
| DRAWN | MG | DATE | APPVD |
| | | 10/28/3 | |
| SNUBBER | | | MAT'L 6061-T6,6105-15 SCALE 2/1 |
| | | | 10300148 |

| | | | | |
|-----|----|-------|------|--------|
| REV | BY | APPVD | DATE | CHANGE |
| | | | | |